

# LA3219S Series

## Automatic Speed Gate

- Servo brushless drive delivers smooth, quiet operation with precise movement control.
- Slim aluminium housing provides a modern appearance with durable 5.0mm alloy construction.
- Adjustable passage width supports lane configurations between 600mm and 900mm.
- Advanced sensor detection uses multiple infrared pairs for accurate pedestrian recognition.
- High-performance control system ensures fast response and reliable access management.



**LA3219S-R/L**  
Single Channel

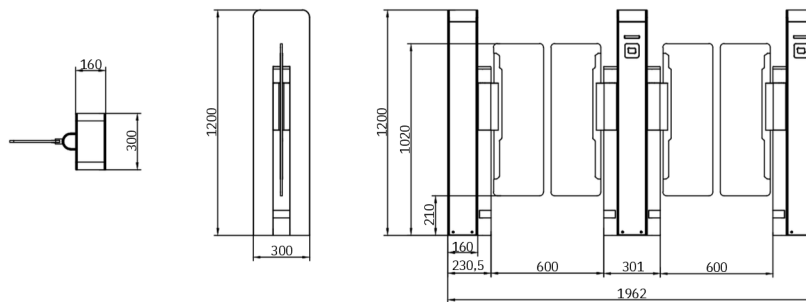


**LA3219S-R/L/M**  
Two Channel



**LA3219S-M**  
Middle

Dimensions:



All dimensions in mm

Specification:

|            |                                 |
|------------|---------------------------------|
| Size       | 300 x 160 x 1200mm              |
| Material   | 5.0mm Aluminium Alloy           |
| Pass Width | 600-900mm                       |
| Sensor     | 2 Pairs + 2 Diffuse Reflections |
| Driver     | Servo Brushless Motor 100W      |
| Controller | Servo Board                     |
| Power      | 120W                            |