

# A500M

## Mortice Monitored Standard Magnet

- Operating voltage 12~24Vdc  
(*Selectable*)
- Stainless Steel housing
- Holding force up to 1200lbs (544Kg)
- Electro-less nickel plated armature



### OPTIONS

A500BP



A520S



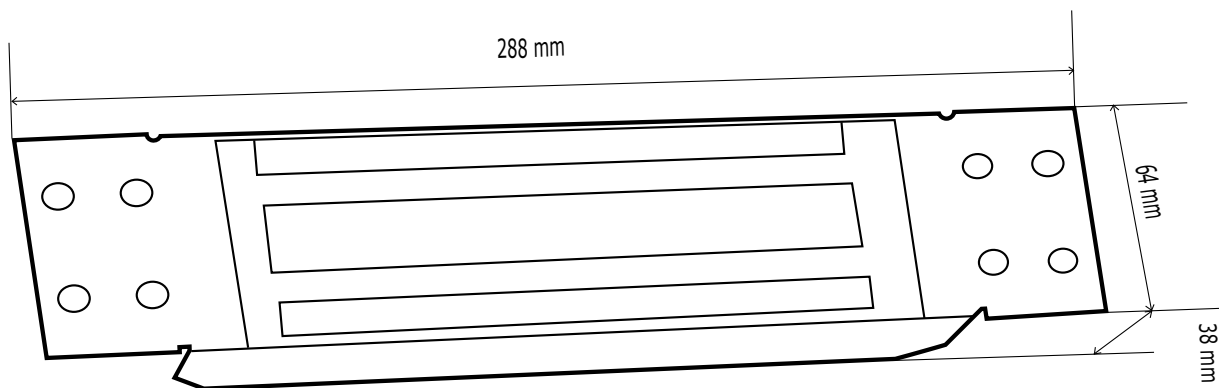
A500ZL



A500ZLDC



A500AL



### SPECIFICATION

- Voltage tolerance:  $\pm 10\%$ .
- Current draw: 420mA at 12Vdc, 210mA at 24Vdc  
(at temperature 20°C).
- Operating temperature: -10~55°C (14 to 131°F).
- Lock's surface temperature: Current temperature  $\pm 20\%$   
(when power is on).
- Magnetic bond sensor monitor output remotely monitors the door lock or unlock status. (N.C. Output-Door opened; N.O. Output-door closed) (SPDT rated 0.25A at 12Vdc).
- Humidity: 0~95% non-condensing.
- Aluminium housing, nickel plated armature.
- Weight: 4.71kg (approx).