

A10020G Monitored

Monitored Standard Magnet

- Operating voltage 12~24Vdc (*Selectable*)
- Aluminium housing
- Holding force up to 1200lbs (*544Kg*)
- Electro-less nickel plated armature
- Status LED ● Red ● Green



OPTIONS



A500BP



A520S



A500ZL



A500ZLDC



A500AL



U500CL

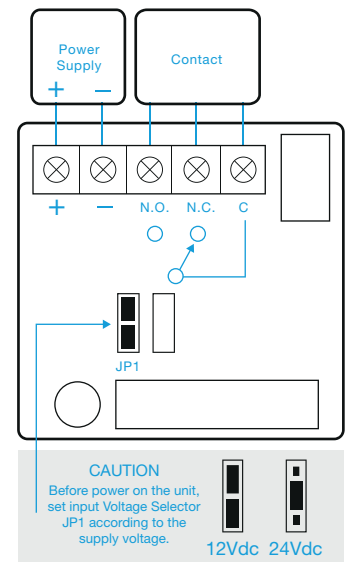
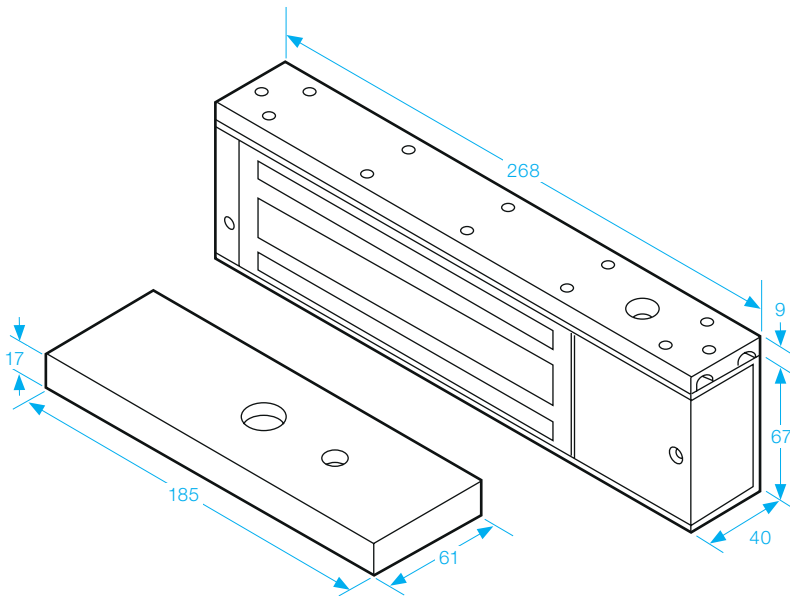


GDB14



A10EXTP

All brackets are available in Gold Finish



SPECIFICATION

- Voltage tolerance: $\pm 10\%$.
- Current draw: 420mA at 12Vdc, 210mA at 24Vdc (at temperature 20°C).
- Operating temperature: -10~55°C (14 to 131°F).
- Lock's surface temperature: Current temperature $\pm 20\%$ (when power is on).
- Magnetic bond sensor monitor output remotely monitors the door lock or unlock status. (N.C. Output-Door opened; N.O. Output-door closed) (SPDT rated 0.25A at 12Vdc).
- Humidity: 0~95% non-condensing.
- Aluminium housing, nickel plated armature.
- Weight: 4.71kg (approx).