

A10005

Monitored

A10005DS

Monitored with Door Status

Monitored Double Mini Magnet

- Operating voltage 12~24Vdc (*Selectable*)
- Aluminium housing
- Holding force up to 2 x 600lbs (*272Kg*)
- Electro-less Nickel Plated Armature
- Status LED ● Red ● Green



OPTIONS

A300BP



A320M



A300ZL



A300ZLDC



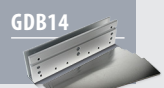
A300AL



U300CL



GDB14



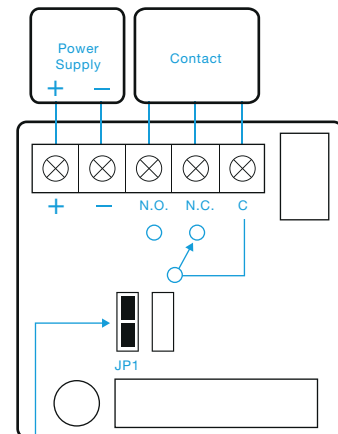
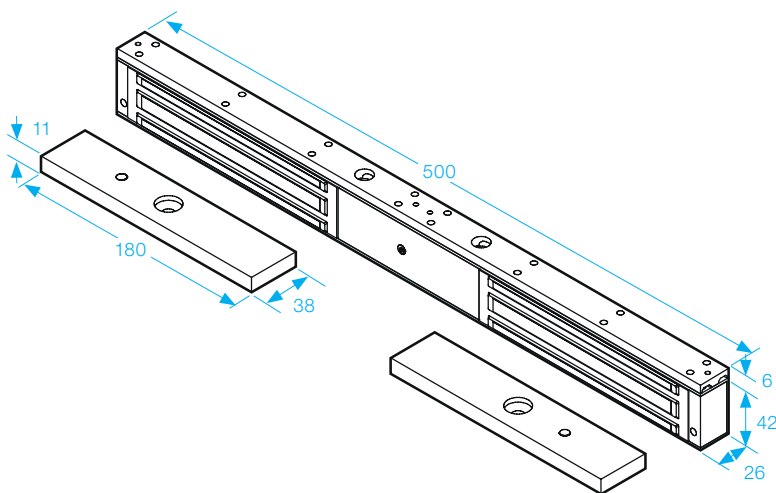
A01EXTP



300ZLG



LD-MM-SC



CAUTION

Before power on the unit, set input Voltage Selector JP1 according to the supply voltage.



SPECIFICATION

- Voltage tolerance: $\pm 10\%$.
- Current draw: 480mA at 12Vdc, 240mA at 24Vdc (*at temperature 20°C*).
- Operating temperature: -10~55°C (*14 to 131°F*).
- Lock's surface temperature: Current temperature $\pm 20\%$ (*when power is on*).
- Humidity: 0~95% non-condensing.
- Weight: 3.7kg (*approx*).
- Magnetic bond sensor monitor output remotely monitors the door lock or unlock status. (N.C. Output-Door opened; N.O. Output-door closed) (SPDT rated 0.25A at 12Vdc).