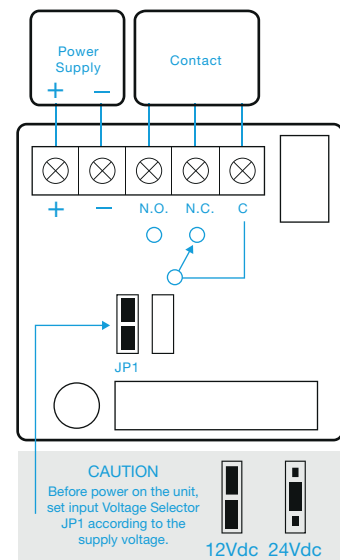
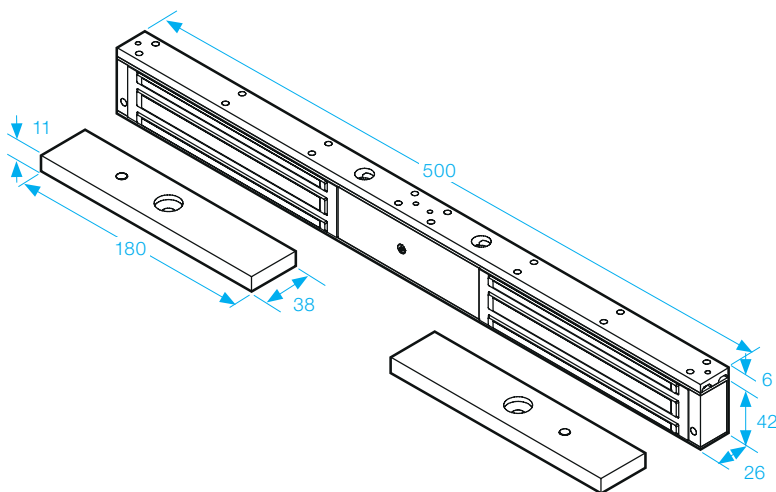


U10005 MONITORED

U10005DSU MONITORED WITH DOOR STATUS

Double Mini Magnet

- Operating voltage 12~24Vdc (*Selectable*)
- Holding force up to 2 x 600lbs (272Kg)
- Aluminium housing
- Electroless Nickel Plated Armature
- Door status: An independent contact that works separately from the magnet to show door status not lock status
- Status LED ● Red ● Green



SPECIFICATION

- Voltage tolerance: ±10%.
- Current draw: 480mA at 12Vdc, 240mA at 24Vdc (*at temperature 20°C*).
- Operating temperature: -10~55°C (14 to 131°F).
- Lock's surface temperature: Current temperature ±20% (*when power is on*).
- Humidity: 0~95% non-condensing.
- Weight: 3.7kg (*approx*).