

# PBT-860BS Series



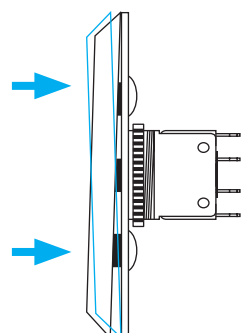
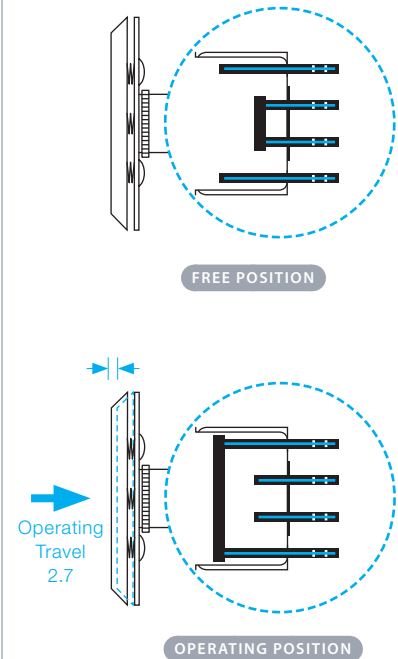
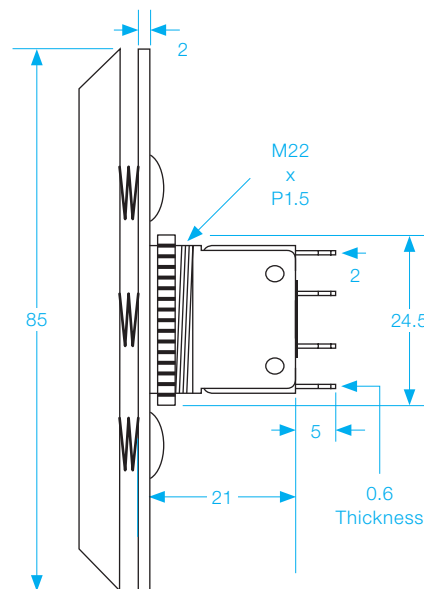
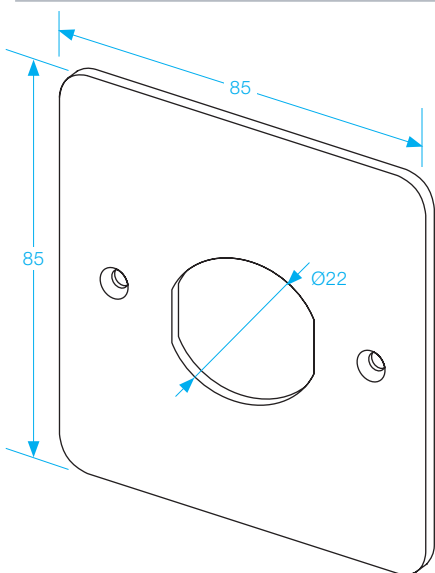
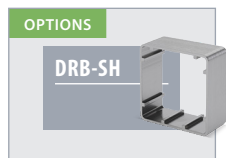
## Exit Button

- Zinc alloy
- 85mm raised button
- Legend: Exit
- Flush mount
- COM-N/O  
COM-N/C

**PBT-860BS-R**  
RED BUTTON

**PBT-860BS-G**  
GREEN BUTTON

**PBT-860BS-B**  
BLUE BUTTON



**BUTTON ACTION**

You can touch the push button on any part of the face to create the contact action.

**SPECIFICATION**

- Switch Rating: 5A/125Vac.
- Contact resistance: 50mΩ Max. (Initial).
- Operating travel: 2.7mm.
- Operating life (Mechanical): Over 100,000 times.