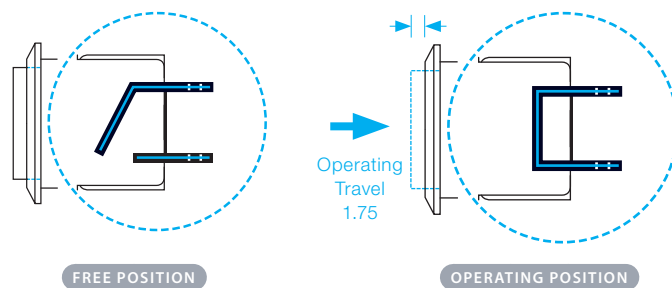
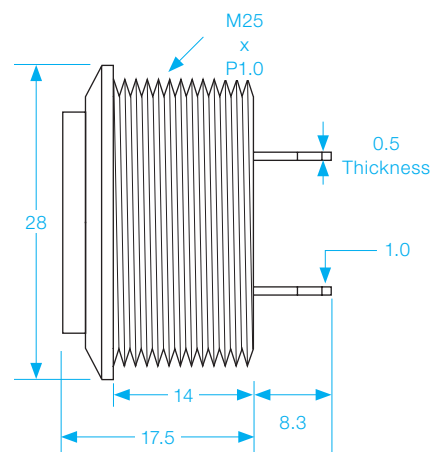
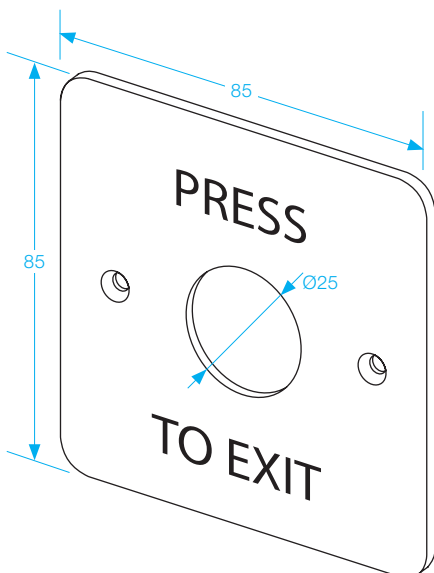
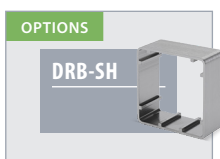


# PBT-425BS

## Exit Button

- Brushed Stainless Steel
- 19mm raised button
- Flush mount
- **FREE:** Add your company logo
- COM / NO



### SPECIFICATION

- Max. Rating: 5mA/12Vdc.
- Contact resistance: 1k $\Omega$  Max. (Initial).
- Operating travel: 1.75mm.
- Operating life (5mA 5Vdc): Over 100,000 times.