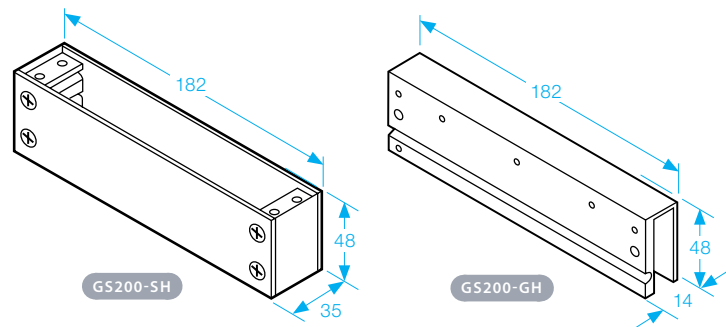
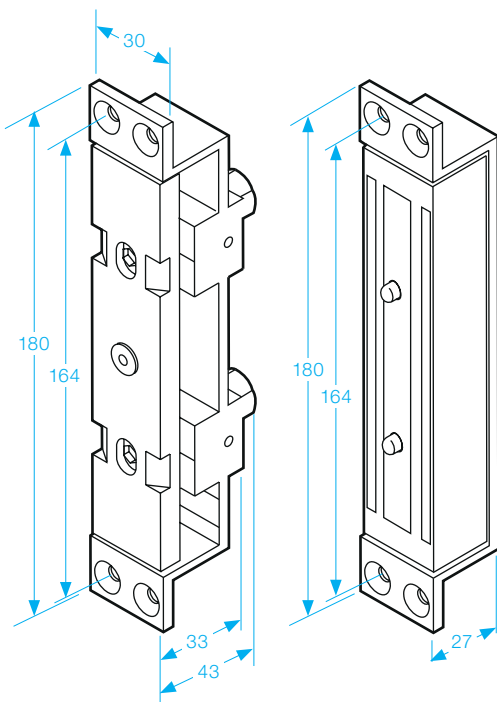
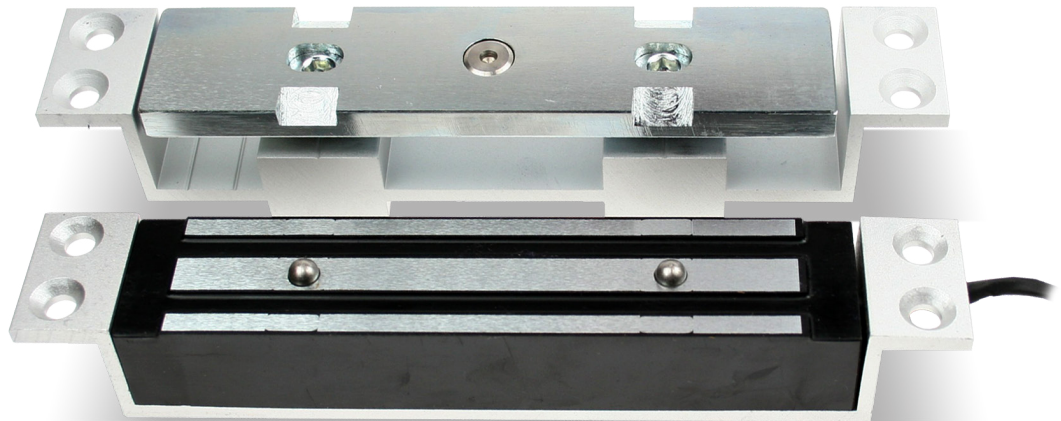


GS200M

Monitored Shear Magnet



- Operating voltage 12~24Vdc
- Holding force up to 1500lbs (680Kg) in shear



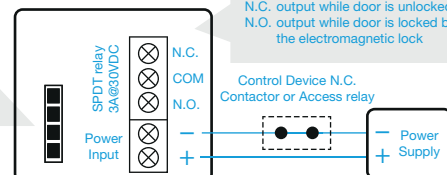
VOLTAGE SELECTION JUMPERS

Check jumper settings before connecting the lock to 24VDC input power. Damage to the lock may result from incorrect jumper settings.



MAGNET BOND SENSOR OUTPUT

N.C. output while door is unlocked; N.O. output while door is locked by the electromagnetic lock



SPECIFICATION

- Voltage tolerance: $\pm 10\%$.
- Current draw: 500mA at 12Vdc, 250mA at 24Vdc (at temperature 20°C).
- Operating temperature: -30~55°C (-22 to 131°F).
- Lock's surface temperature: Current temperature $\pm 20\%$ (when power is on).
- Magnetic bond sensor monitor output remotely monitors the door lock or unlock status. (N.C. Output-Door opened; N.O. Output-door closed) (GS-200M) (SPDT rated 3A at 30Vdc).
- Humidity: 0~95% non-condensing.
- Special Zinc finish for magnet and armature plate.
- Weight: 2.0kg (approx).