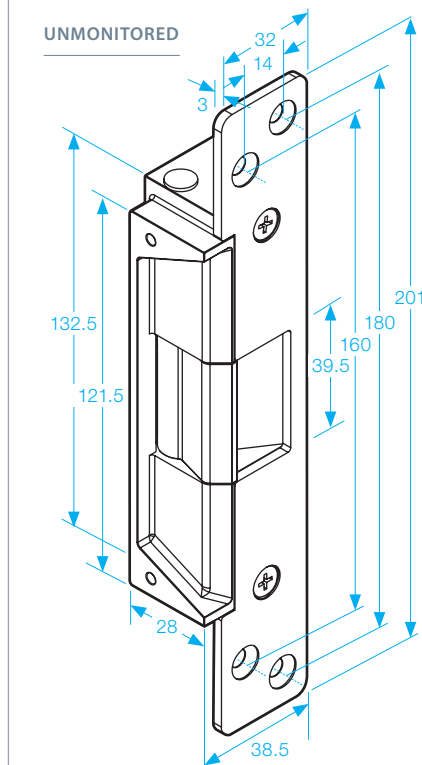
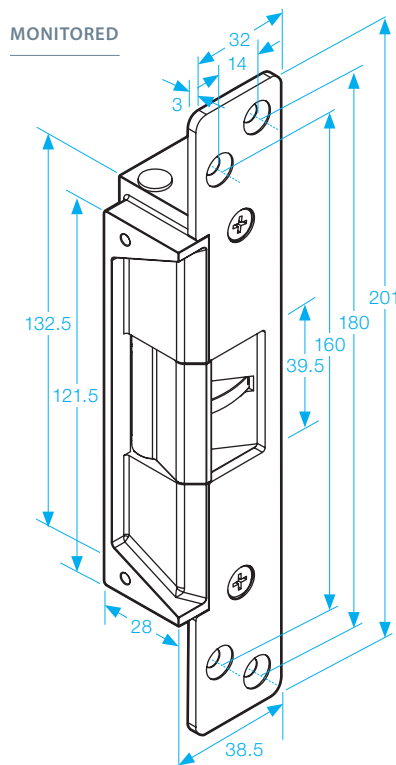


GK760 MONITORED

GK770 UNMONITORED

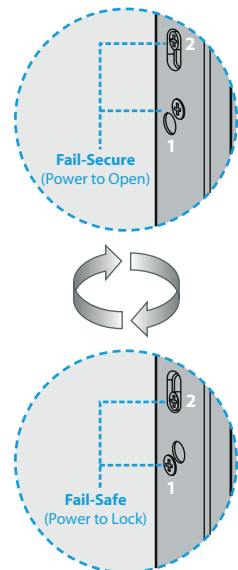
Electric Release

- Operating voltage 12~24Vdc/Vac
- Fail-Safe/Fail-Secure (*Selectable*)
- Max latch throw 18mm
- Door status output
- For wood or metal frame doors
- Long life solenoid
- Suitable for DIN standard lockcases



FLEXIBLE SOLUTIONS

The GK760 electric strike can easily change between Fail-Safe and Fail-Secure modes. This unique design enables distributors to reduce inventory and still meet varying needs and requirements of end users.



SPECIFICATION

- Voltage tolerance: $\pm 15\%$.
- Current draw: 210mA at 12Vdc, 140mA at 24Vdc (at temperature 20°C).
- Operating temperature: -10~45°C (14 to 131°F).
- Lock's surface temperature: Current temperature $\pm 20\%$ (when power is on).
- Reed switch rating: 1A/125Vac
- Humidity: 0~95% non-condensing.
- Tested to 1,000,000 cycles (solenoid).
- Material: Zinc alloy main stand, Stainless Steel face plate.
- 1000lbs jaw strength pull testing.