

FR-U10040

Monitored Double Standard Magnet



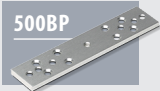
BS EN1634:1

- FD30 + FD60 Rated
- Operating voltage 12~24Vdc (*Selectable*)
- Aluminium housing
- Safety bolts fitted
- Holding force up to 2 X 1200lbs (*544Kg*)
- Electro-less nickel plated armature
- 1 Hour UK fire certificate
- Status LED ● Red ● Green



OPTIONS

500BP



U520S



U500ZL



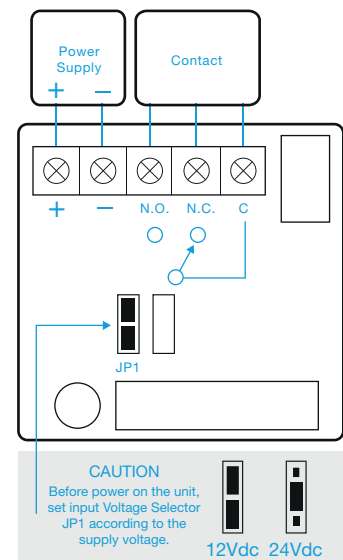
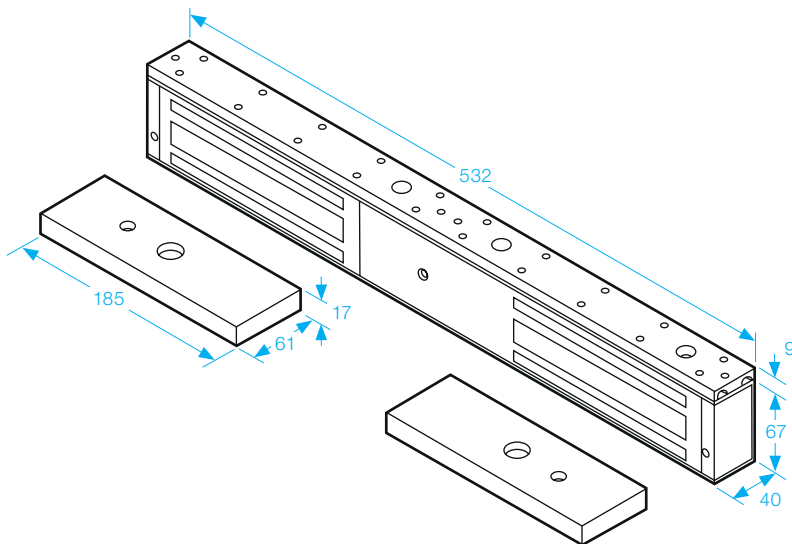
500ZLDC



U500AL



LD-SM-SC



SPECIFICATION

- Voltage tolerance: $\pm 10\%$.
- Current draw: 420mA at 12Vdc, 210mA at 24Vdc (*at temperature 20°C*).
- Operating temperature: $-10\sim 55^{\circ}\text{C}$ (*14 to 131°F*).
- Lock's surface temperature: Current temperature $\pm 20\%$ (*when power is on*).
- Magnetic bond sensor monitor output remotely monitors the door lock or unlock status. (*N.C. Output-Door opened; N.O. Output-door closed*) (*SPDT rated 0.25A at 12Vdc*).
- Humidity: 0~95% non-condensing.
- Aluminium housing, nickel plated armature.
- Weight: 9.3kg (*approx*).