

FR-GD830S-12 12 VDC

FR-GD830S-24 24 VDC

Door Retaining Magnet

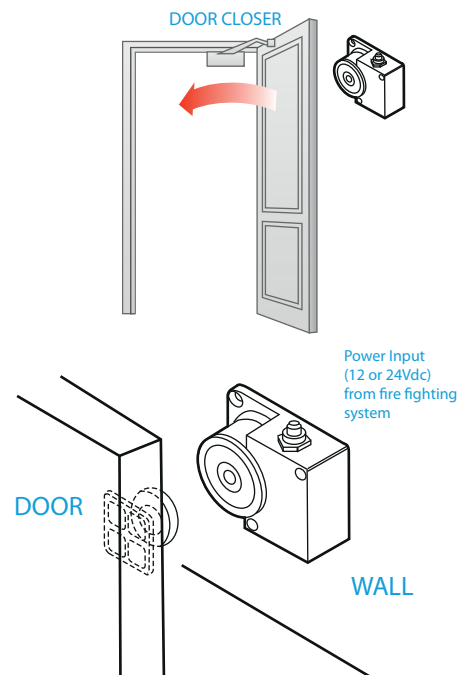
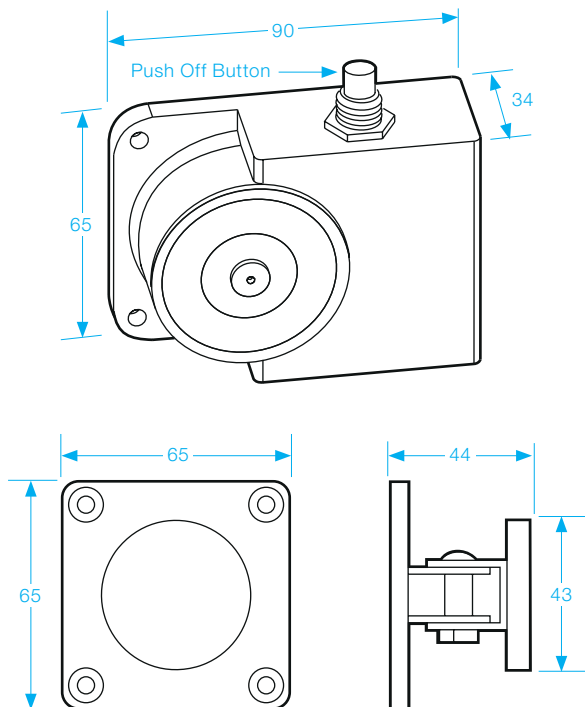
- FD30 +FD60 Rating
- Operating voltage 12 or 24Vdc
- Black powder-coat finish
- Up to 80lbs (36kg) holding force
- Electrically tested: BS EN1155
- Over-ride switch
- Surface mount
- 1 Hour UK fire certificate



BS EN1634:1



BS EN1155



SPECIFICATION

- Voltage tolerance: $\pm 15\%$.
- Current draw: 130mA at 12Vdc, 60mA at 24Vdc (at temperature 20°C).
- Operating temperature: -10~45°C (14 to 131°F).
- Humidity: 0~95% non-condensing.
- Weight: 380g (approx).