

# FR-GD830F-12 12 VDC

# FR-GD830F-24 24 VDC

## Door Retaining Magnet

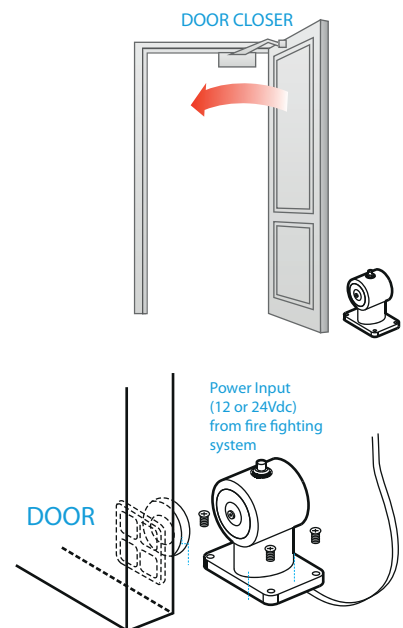
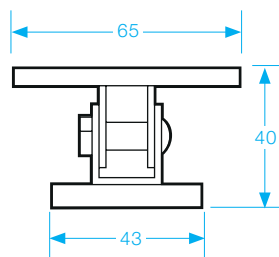
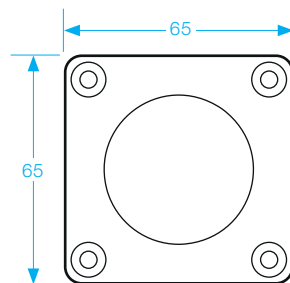
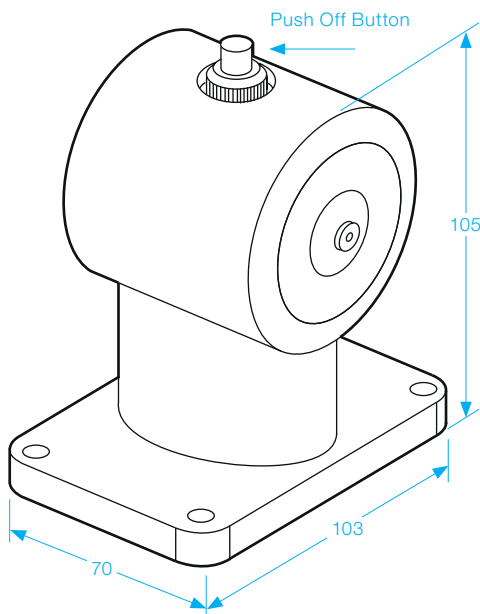
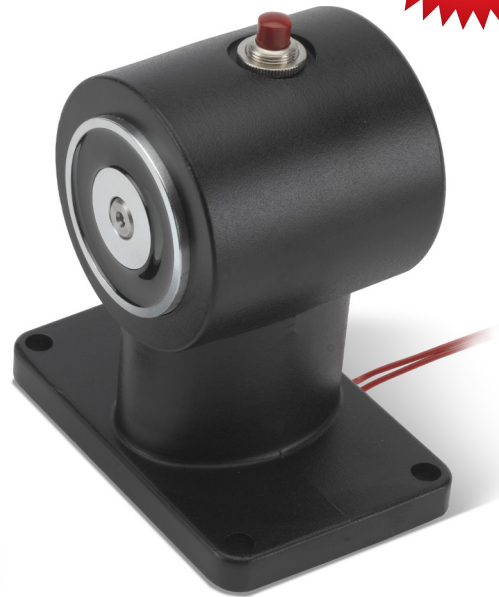
- FD30 +FD60 Rating
- Operating voltage 12 or 24Vdc
- Black powder-coat finish
- Up to 80lbs (36kg) holding force
- Electrically tested - BS EN1155
- Over-ride switch
- Floor mount
- 1 Hour UK fire certificate



BS EN1634:1



BS EN1155



**SPECIFICATION**

- Voltage tolerance:  $\pm 15\%$ .
- Current draw: 130mA at 12Vdc, 60mA at 24Vdc (at temperature 20°C).
- Operating temperature: -10~45°C (14 to 131°F).
- Humidity: 0~95% non-condensing.
- Weight: 380g (approx).