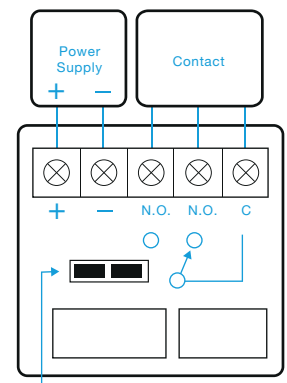
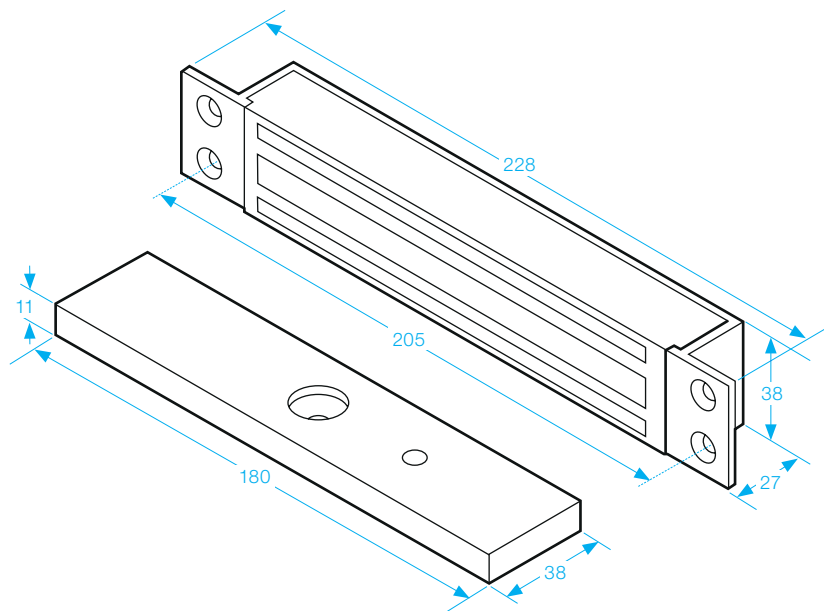
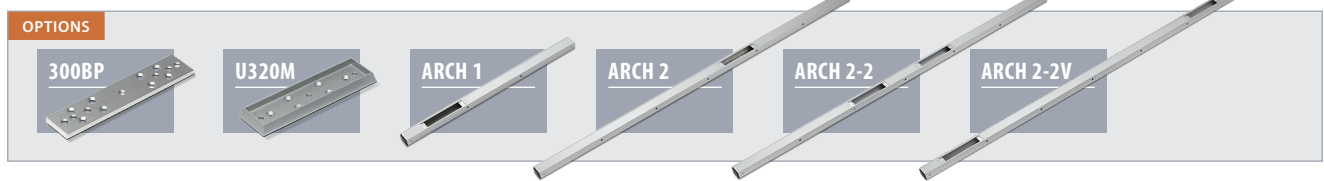
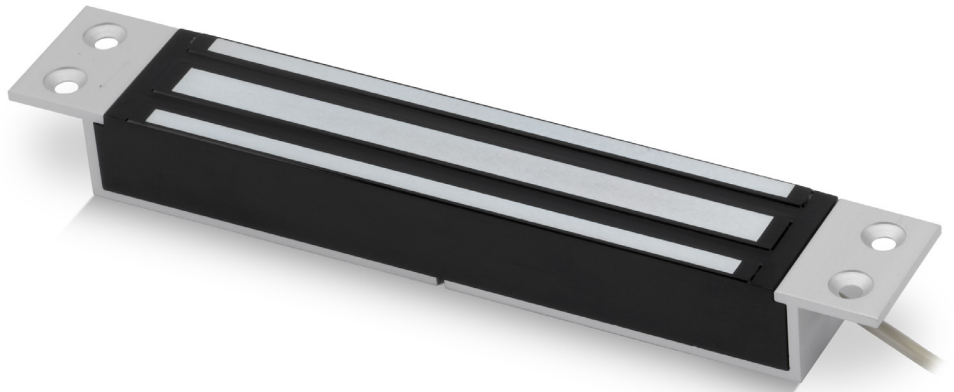


# U10000 UNMONITORED

# U10000R MONITORED

## Mini Mortice Magnet

- Operating voltage 12~24Vdc  
*(Selectable)*
- Holding force up to 600lbs (272Kg)
- Aluminium housing
- Electroless Nickel Plated Armature
- Mortice mounting



**CAUTION**  
Before power on the unit, set input Voltage Selector according to the supply voltage.

12Vdc  
 24Vdc

**CONTACT ONLY ON U10000R**

**SPECIFICATION**

- Voltage tolerance:  $\pm 10\%$ .
- Current draw: 480mA at 12Vdc, 240mA at 24Vdc  
*(at temperature 20°C).*
- Operating temperature: -10~55°C (14 to 131°F).
- Lock's surface temperature: Current temperature  $\pm 20\%$   
*(when power is on).*
- Magnetic bond sensor monitor output remotely monitors the door lock or unlock status. (N.C. Output-Door opened; N.O. Output-door closed) (SPDT rated 0.25A at 12Vdc).
- Humidity: 0~95% non-condensing.
- Aluminium housing, nickel plated armature.
- Weight: 2.0kg (approx).