

**GD650S-12** 12 VDC**GD650S-24** 24 VDC**Door Retaining Magnet**

- Operating voltage 12Vdc
- Stainless Steel
- Fire tested: EN1155
- Up to 70lbs (32kg) holding force
- Over-ride switch
- Flush mount



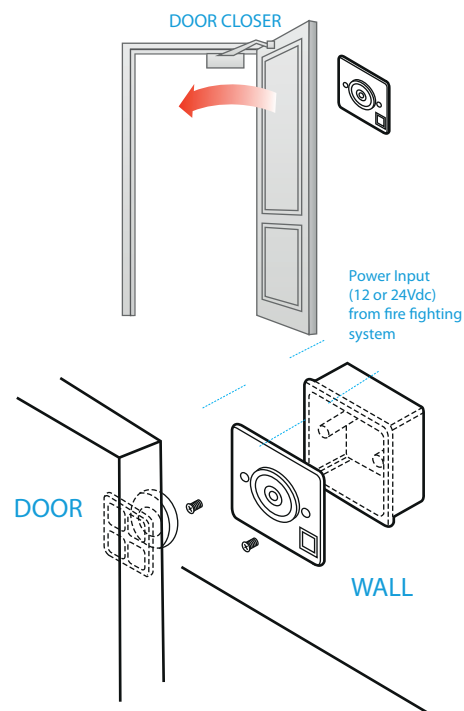
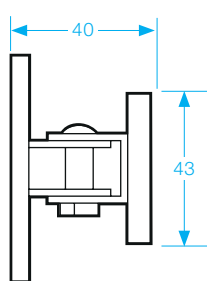
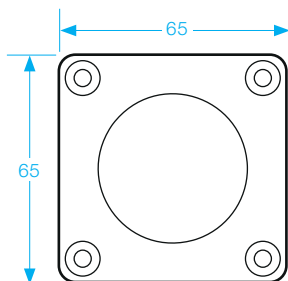
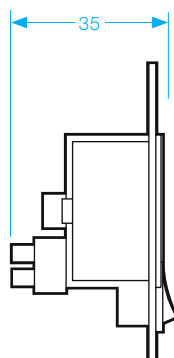
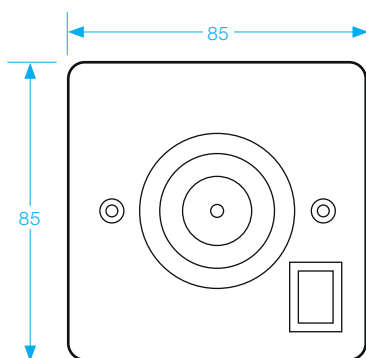
STAINLESS  
STEEL



FIRE  
TESTED  
- EN1155 -



**GEM**<sup>®</sup>

**SPECIFICATION**

- Voltage tolerance:  $\pm 15\%$ .
- Current draw: 150mA at 12Vdc, 70mA at 24Vdc (at temperature 20°C).

- Operating temperature: -10~45°C (14 to 131°F).
- Humidity: 0~95% non-condensing.

- Weight: 380g (approx).