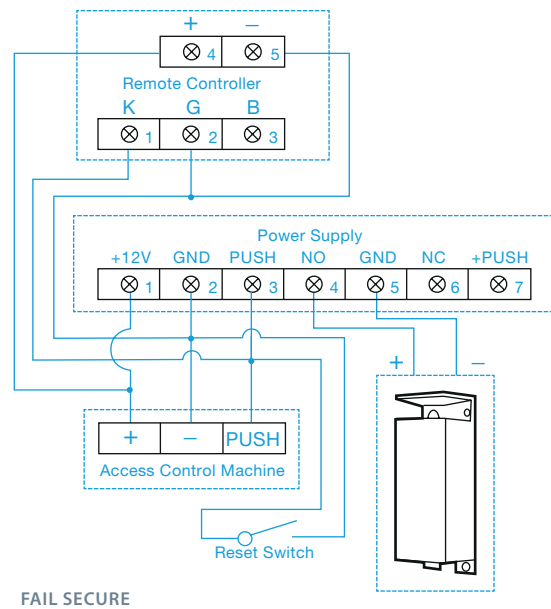
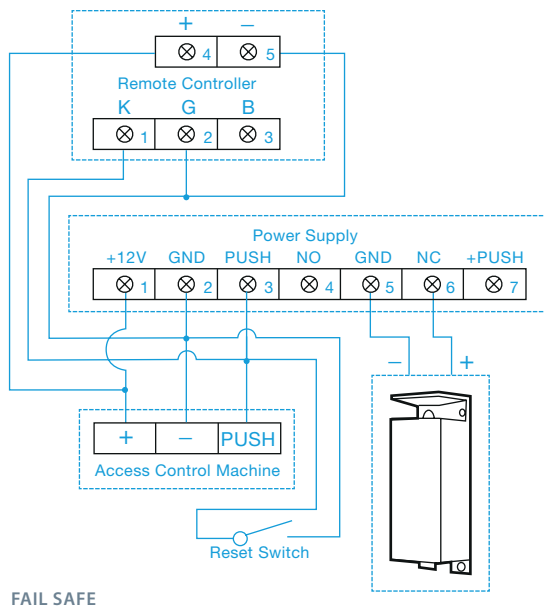


10604 FAIL SECURE**10602** FAIL SAFE**Secure Drawer / Cabinet Lock**

- Operating voltage 12Vdc
- Easy to install
- Monitored
- Horizontal or vertical installation

H	W	D
80	29	28

**SPECIFICATION**

- Voltage tolerance: $\pm 15\%$.
- Current draw: 500mA at 12Vdc (at temperature 20°C).
- Bolt status output indicates bolt locked or unlocked status (SPDT rated 3A at 30 Vdc).
- Tested to 500,000 cycles.
- Weight: 1.2kg (approx).