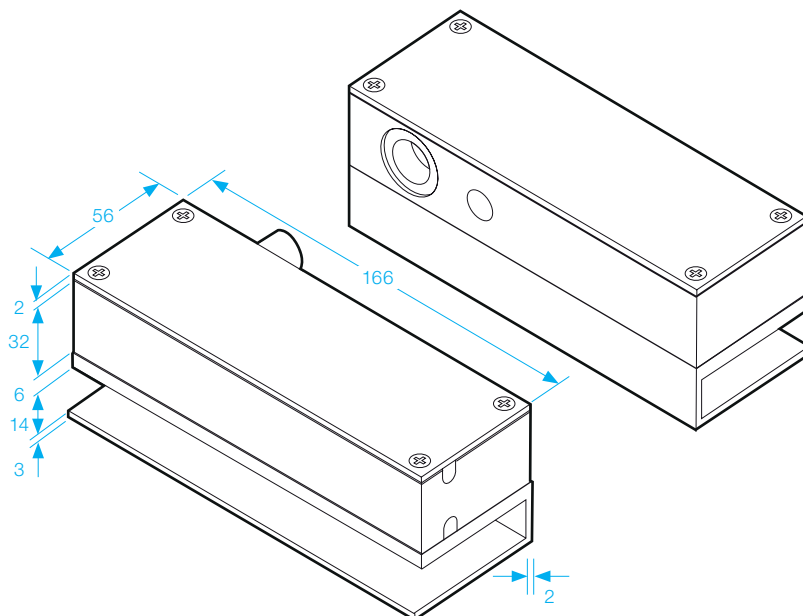


EB300VGL

Electric Dropbolt

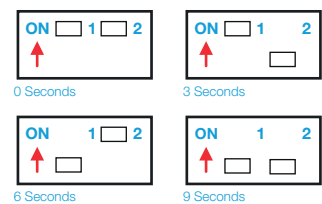


- Operating voltage 12Vdc
- Fail-Safe (*Power to Lock*)
- Glass door applications
- Auto-relocking timer delay:
0, 3, 6 and 9 seconds



AUTO RELOCKING TIMER SETTINGS

Use jumpers to adjust the time between 0 to 9 seconds for door locking time delay. This is the time, which takes the dropbolt to automatically lock after the door is closed.



SPECIFICATION

- Voltage tolerance: $\pm 10\%$.
- Current draw: Pull in 0.9A, Holding 0.3A at 12Vdc (at temperature 20°C)
- Operating temperature: -10~45°C (14 to 131°F).
- Lock's surface temperature: Current temperature $\pm 20\%$ (when power is on).
- Door position status output indicates door opened or closed status (Reed rated 0.25A at 30Vdc).
- Humidity: 0~95% non-condensing.
- Horizontal or vertical installation.
- Tested to 500,000 cycles
- Weight: 1.7kg (approx).