

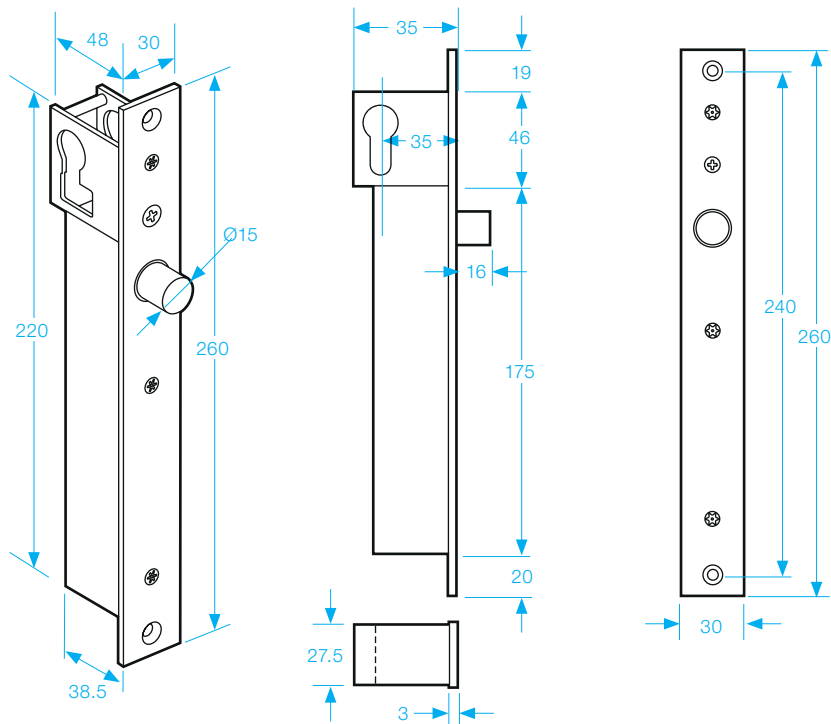
# EB260-N

## Electric Deadbolt

- Operating voltage 12Vdc
- Stainless Steel
- Fail-Secure (*Power to Unlock*)
- Euro profile key over-ride
- Auto-relocking timer delay:  
0, 3, 6 or 9 seconds
- Tested to 500,000 cycles

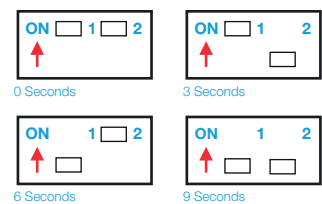


STAINLESS  
STEEL



### AUTO RELOCKING TIMER SETTINGS

Use jumpers to adjust the time between 0 to 9 seconds for door locking time delay. This is the time, which takes the dropbolt to automatically lock after the door is closed.



### SPECIFICATION

- Voltage tolerance:  $\pm 10\%$ .
- Current draw: Pull in 0.9A, Holding 0.3A at 12Vdc (at temperature 20°C).
- Operating temperature: -10~45°C (14 to 131°F).
- Lock's surface temperature: Current temperature  $\pm 20\%$  (when power is on).
- Magnetic bolt status output indicates bolt locked or unlocked status (SPDT rated 3A at 30Vdc).
- Humidity: 0~95% non-condensing.
- Horizontal or vertical installation.
- Face plate material: Stainless Steel.
- Weight: 1.2kg (approx).