

# DRB011F-PTE

PRESS TO EXIT

# DRB011F-DR

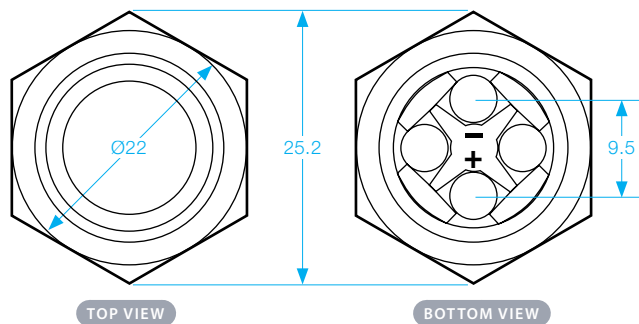
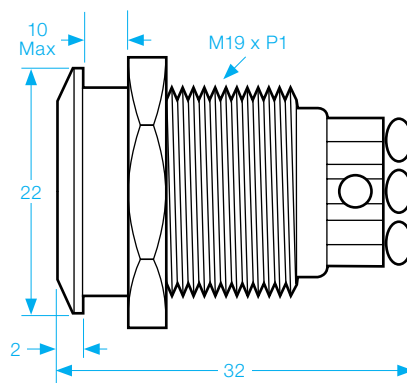
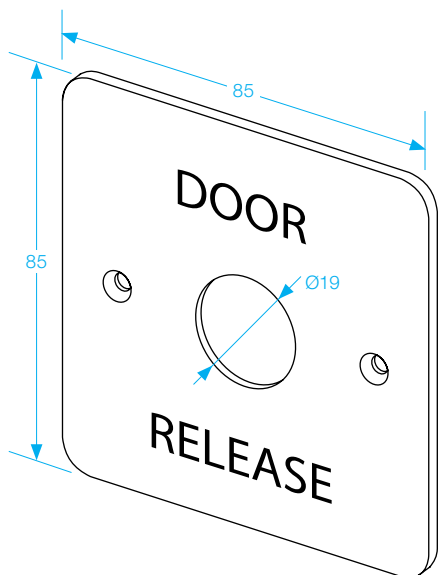
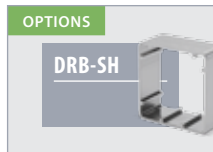
DOOR RELEASE

## Exit Button

- Operating voltage 24Vac
- Brushed Stainless Steel
- 19mm button
- Flush mount
- Momentary
- **FREE:** Add your company logo
- COM / NO / NC  
Change-over-contacts
- LED Illumination



WEATHER  
RESISTANT  
- IP 65 -



### SPECIFICATION

- Max. Rating: 5mA/12Vdc.
- Contact resistance: 1kΩ Max. (Initial)
- Operating travel: 1.75mm.
- Operating life (5mA 5Vdc):  
Over 100,000 times.