

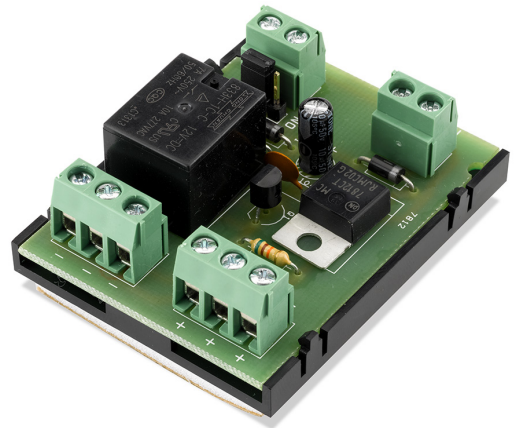
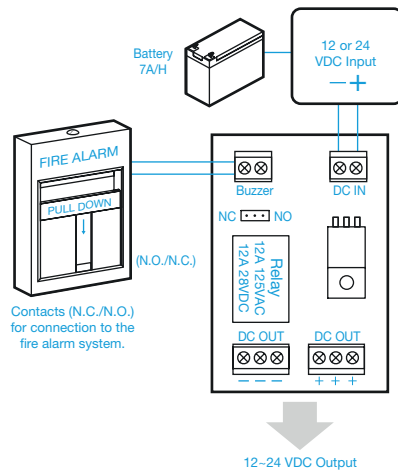


FFP 1224

Relay

- Power Input 12~24Vdc
- 12Amp/28Vdc rated relay
- Fire alarm release module

H	W	D
59	47	20

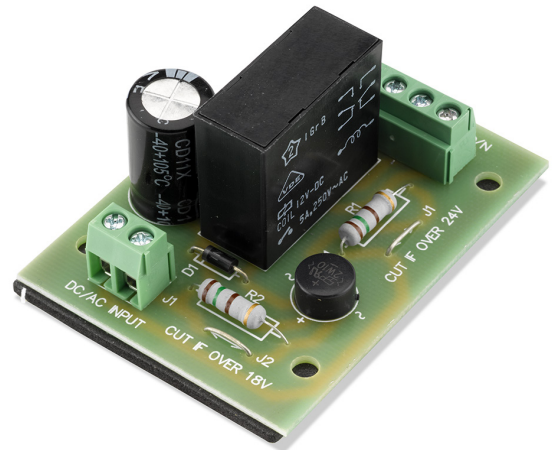
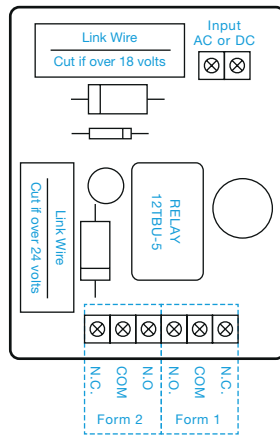


DBR 200

Relay

- Power Input 12~28Vac/Vdc
- Output two volt-free contacts
- Double pole change-over contact

L	W	D
69	59	30



DBR 100

Relay

- Power input 12Vdc
- Relay rating 5A 25Vac / 10A 125Vac
- NO/NC/COM
- LED indicator

L	W	D
35	35	20

