

CM-RQE70-B

BLACK

CM-RQE70

WHITE



Infra-Red Exit Sensor

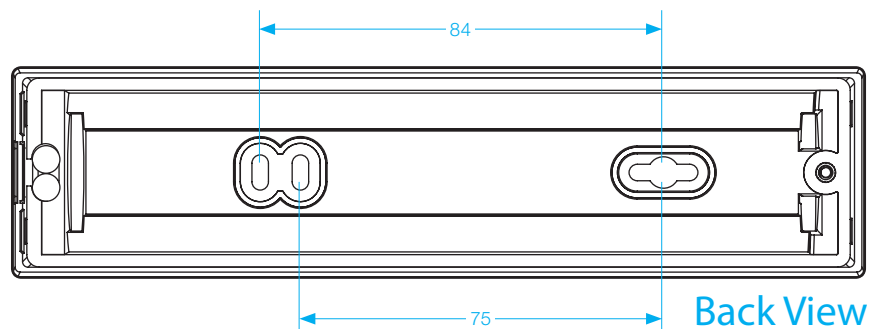
- Operating voltage 12~24Vdc/Vac
- Active infrared
- Installation height 3000mm (9.8ft max)
- Weather resistance - IP54
- Response speed 0.1~0.2s



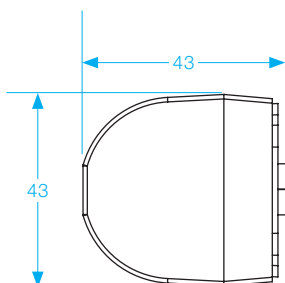
WEATHER
RESISTANT
- IP 54 -



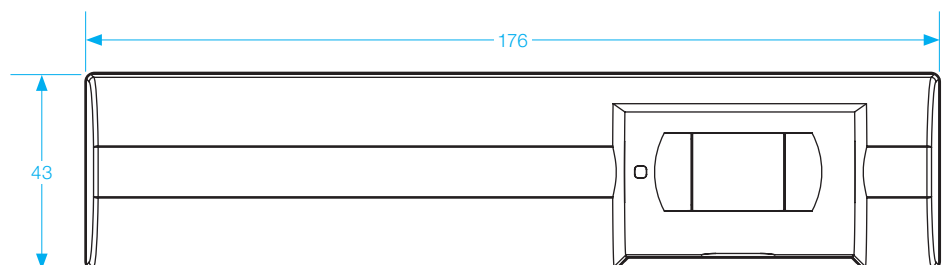
INFRA-RED



Back View



Side View



Front View

SPECIFICATION

- Voltage tolerance: $\pm 10\%$.
- Current draw: AC12V-2.1[VA] (Max), DC12V-110[mA] AC24V-2.1[VA] (Max), DC24V-60[mA] (at temperature 20°C).
- Operating temperature: -20~60°C (-20to 140°F).
- Humidity: 0~95% non-condensing.
- Test input 6[mA] (Max)@ 24 [VDC].
- Relay hold time 0.5 sec.
- Weight 0.25kg.