



# CCL-SSVCK1-CK

## Colour Video Access

- Stainless Steel
- High quality handset
- 70m distance
- Keypad access
- Up to 3 handsets / 2 entrances
- Surface or flush mount



STAINLESS STEEL  
- 316/304 -



# CCL-SSVCK2-CK

## Hands Free Colour Video Access



H	W	D
160	245	18



PRODUCT	H	W	D
CALL PANEL	250	120	43
MONITOR	243	198	79

OPTIONS

SAC561C-CK



SAC561-SH



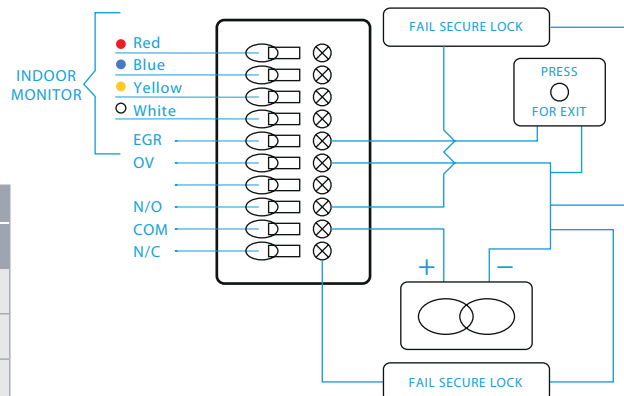
MT200C-CK



MT320C-CK



RANGE OF VIDEO	
CABLE DIAMETER	DISTANCE
0.2 <sup>2</sup> mm	28
0.3 <sup>2</sup> mm	50
0.5 <sup>2</sup> mm	70



● RED	= AUDIO
● BLUE	= GND
● YELLOW	=V+
○ WHITE	= AUDIO

The keypad will not operate until the power for the lock is applied.