

DG 800-N

Combined Proximity and Keypad Access

- Operating voltage 12~24Vac/Vdc
- Die-cast Aluminium
- 1000+10 Proximity cards, tokens and PIN's
- Backlit keypad
- Weather resistant: IP65
- Vandal resistant
- 2 LED displays with audible indication



WEATHER RESISTANT
- IP 65 -



VANDAL RESISTANT



OPTIONS

KT-15EM



KT-16



KT-10BC



KT-10GC



KT-10RC



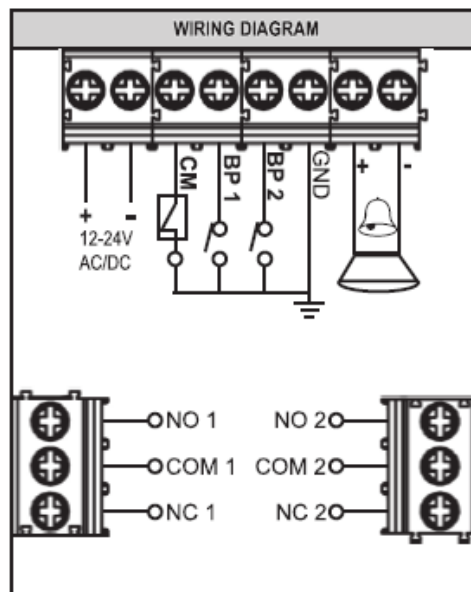
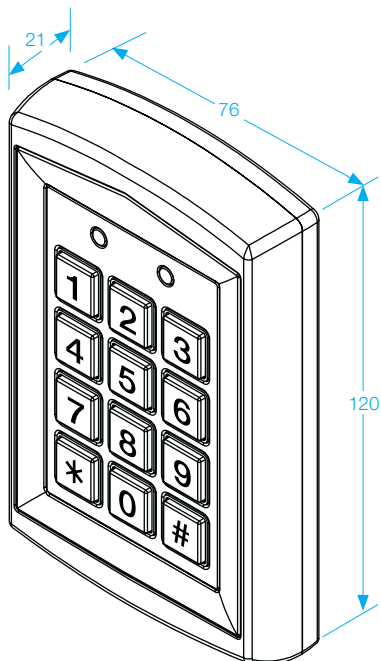
KT-10YC



STD-PC



STD-PCPS



BP 1
= Exit Button Relay 1

BP 2
= Exit Button Relay 2

CM
= Door magnet*

= Bell*

* Please refer to **Bell function** on page 16/24

= 1 mm²

Door magnet = Detection of door status. When someone opens the door and comes in, the door is closed. The system will automatically detect the door status and lock the door, even though there is still a delay period.