

KP-500

Combined Proximity and Keypad Access

- Operating voltage 12Vdc
- Die-cast metal
- Allows up to 1000+1 proximity cards, tokens and PIN's
- Backlit keypad
- 2 LED displays



WEATHER RESISTANT
- IP 65 -



VANDAL RESISTANT



OPTIONS

KT-15EM



KT-16



KT-10BC



KT-10GC



KT-10RC



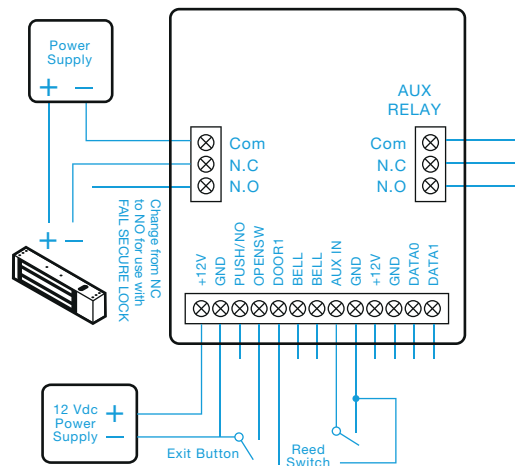
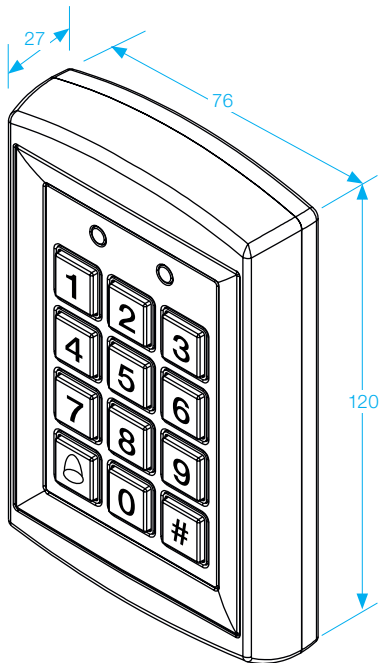
KT-10YC



STD-PC



STD-PCPS



- Open SW - GND:** Exit button connection (Button must be N/O going closed).
- Aux IN - GND:** A N/O going closed input that activates the aux relay and sounds an internal alarm when connection made.
- Door1 - GND:** Reed switch connections must be N/C when the door is closed. If the door is left open an internal alarm will sound when the door sensor mode is enabled. The time can be adjusted using the alarm delay time settings.
- Bell-Bell:** A N/O connection going closed when the bell button is pressed.

SPECIFICATION

- Output: 1 relay COM/NO/NC.
- Programmable 4 digit code.
- RF Frequency EM 125 KHz.
- Relay strike time 01~99 seconds.
- Read range 5cm. (In noise-free environment).