

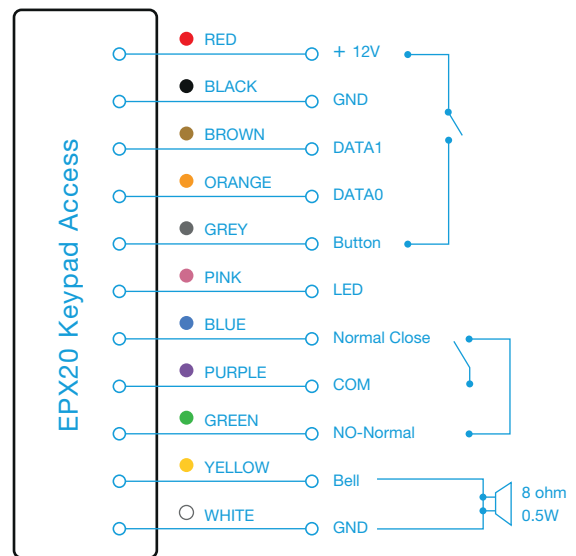
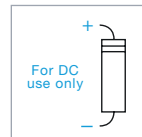
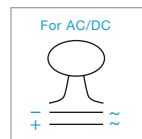
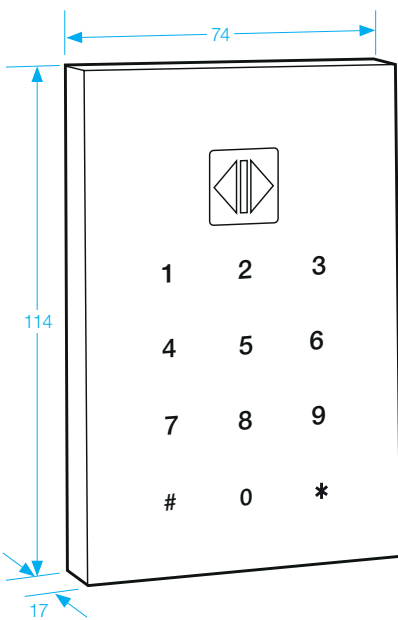
# EPX-20-WP

## Combined Proximity and Keypad Access

- Operating voltage 12Vdc
- ABS plastic
- 1000 users
- Illuminated
- Touch sensitive
- Pin / Prox / Pin & Prox
- Aux weigand output
- LED display
- Weatherproof



### OPTIONS



RED	+ 12V	PINK	LED	YELLOW	BELL	PURPLE	COM
BLACK	GND	WHITE	GND	BROWN	DATA1	BLUE	NORMAL
GREEN	N.O.	ORANGE	DATA0	GREY	BUTTON		

#### SPECIFICATION

- Current draw: Pull in: 100mA/12Vdc; Holding: 70mA/12Vdc. Pull in: 50mA/24Vdc; Holding: 35mA/24Vdc.
- Input: Request-to-Exit, time out reed switch contact.
- Output: Dual relays, N.O./N.C./Com.
- Relays rating: 2A MAX@30Vdc., 0.6A@120Vac.
- Programmable 4 digit code.
- RF frequency: EM 125 KHz.
- Relay strike time: 01~99 seconds or toggle mode (00).
- Read range: 5cm. (In noise -free environment).