

SPLIT II

Standalone Proximity

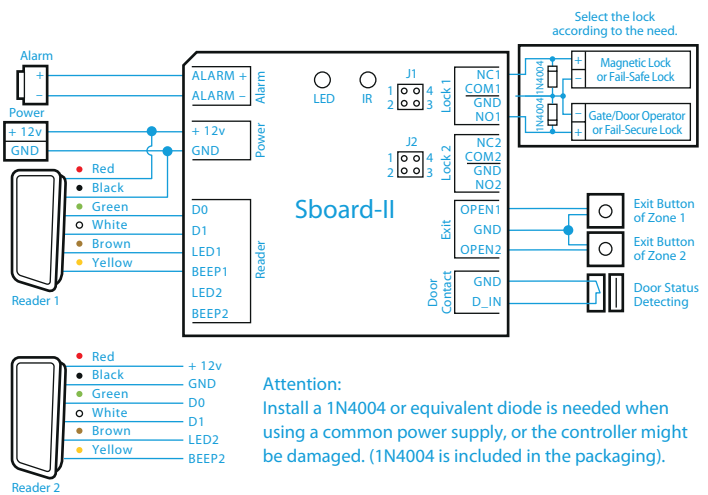
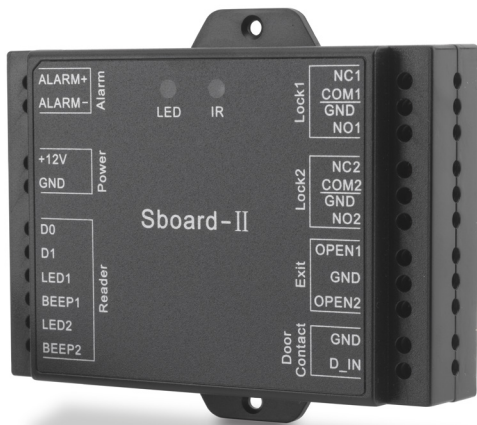
- Operating voltage 12 or 24Vac/Vdc
- 2000 users relay 1
- 100 users relay 2
- Infra-red programmer
- Reads EM, Mifare and HID cards
- **IMPORTANT:** Cards for relay 1 do not work on relay 2



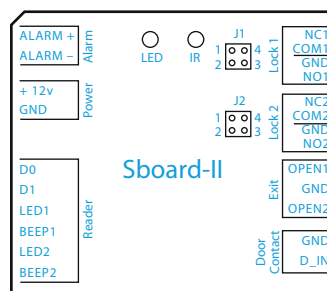
INFRA-RED



OPTIONS



WHEN USING NO/NC/COM DRY CONTACT OUTPUT



| PRODUCT | DESCRIPTION |
|--------------|--|
| SPLIT II-M | Split Controller with Mullion Reader |
| SPLIT II-M-2 | Split Controller with 2 x Mullion Reader |
| SPLIT II-W | Split Controller with wall Reader |
| SBOARD II | Controller Only |
| MR-900 | Mullion Multi-Tech Reader |
| EM-901 | Wall Mount EM Reader |

1. Remove the Pin Caps on points 1, 2, 3 and 4 (Remark: J1 (Relay 1) & J@ (Relay2), please check the relay you are using).
2. Insert one of the Pin Caps on point 1 and point 4.
3. Fix the back cover and keep the other Pin Cap well.