

EASIPROX+

Standalone Proximity

- Operating voltage 12Vdc
- Black ABS plastic
- **Bluetooth**
- Internal or external use
- Self-contained
- Read range 5cm
- Fully programmable via master card
- 3 LED displays with audible indication
- Weather resistant: IP67



WEATHER RESISTANT
- IP 67 -

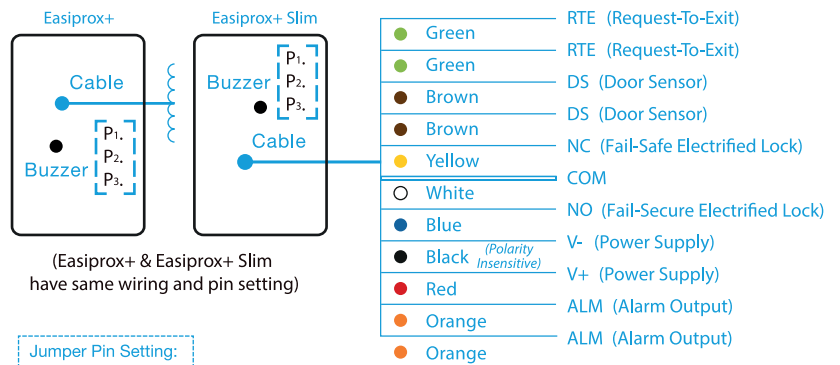
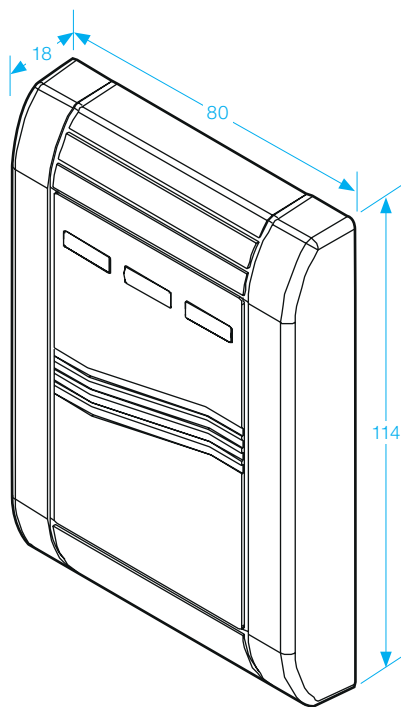


BLUETOOTH



Bluetooth™

OPTIONS



LED	POWER + DC12-15V	AUDIBLE BEEPS	STATUS
BLUE	POWER ON, STANDBY MODE	1 LONG BEEP	VALID ACCESS, RESET IS COMPLETE
GREEN	UNLOCKED, DOOR ALWAYS UNLOCKED	2 SHORT BEEPS	LOCKING COMPLETE
RED	INVALID ACCESS DOOR ALWAYS LOCKED	3 SHORT BEEPS	INVALID ACCESS
		CONSTANT BEEPING	BLUETOOTH DEVICE VANDALISED DOOR SENSOR IS ON