

DG-365-PLUS

Proximity Access

- Operating voltage 12Vdc
- Die-cast Metal
- **Bluetooth**
- Weather resistant: IP65
- Vandal resistant
- Multiple LED display with audible indication



WEATHER RESISTANT
- IP 65 -



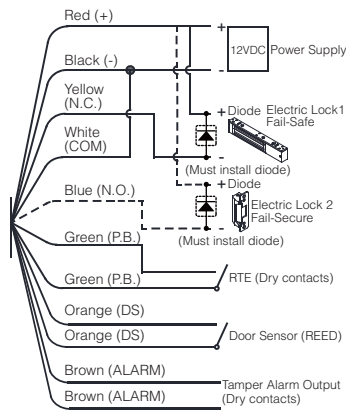
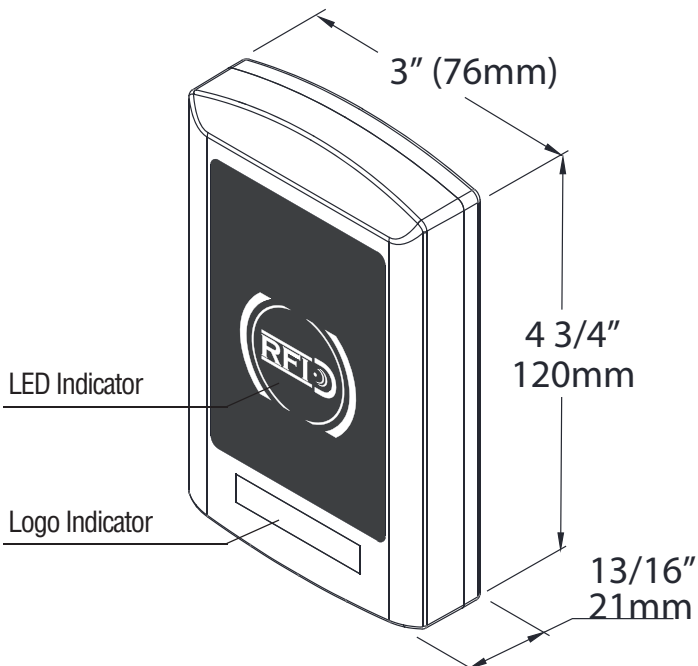
VANDAL RESISTANT



BLUETOOTH



OPTIONS



| Item | Wire Color | Terminal | Description |
|------|------------|----------|-----------------------------|
| 1 | Red | + | Positive |
| 2 | Black | - | Negative |
| 3 | Blue | N.O. | SSR contact |
| 4 | White | COM | |
| 5 | Yellow | N.C. | |
| 6 | Green | PB | RTE contact |
| 7 | Green | PB | |
| 8 | Orange | DS | Door sensor (REED) |
| 9 | Orange | DS | |
| 10 | Brown | ALM | Tamper alarm output contact |
| 11 | Brown | ALM | |