

DG800+

Combined Proximity and Keypad Access

- Operating voltage 12Vdc
- Die-cast Aluminium
- **Bluetooth**
- Backlit keypad
- Weather resistant: IP65
- Vandal resistant
- Multiple LED display with audible indication



WEATHER RESISTANT
- IP 65 -

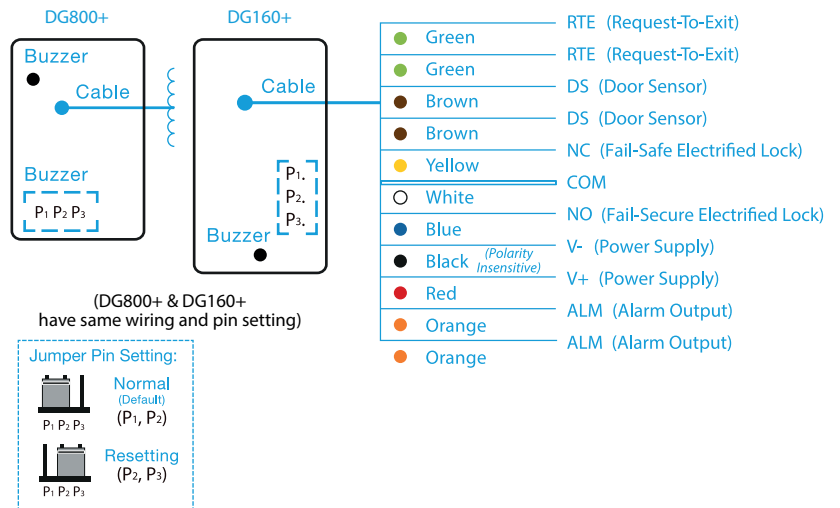
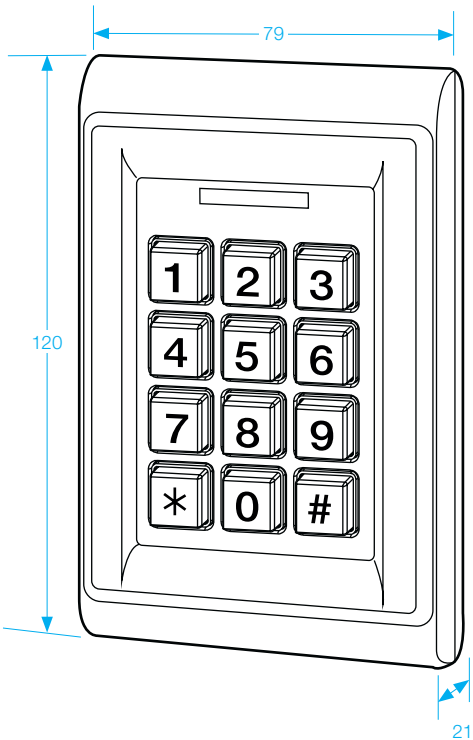


VANDAL RESISTANT



BLUETOOTH

OPTIONS



LED	STATUS
BLUE	POWER ON, STANDBY MODE
GREEN	UNLOCKED, DOOR ALWAYS UNLOCKED
RED	INVALID ACCESS, DOOR ALWAYS LOCKED

AUDIBLE BEEPS	STATUS
1 SHORT BEEP	KEY PRESS
1 LONG BEEP	VALID ACCESS, RESET IS COMPLETE
2 SHORT BEEPS	LOCKING COMPLETE
3 SHORT BEEPS	INVALID ACCESS
CONSTANT BEEPING	BLUETOOTH DEVICE VANDALISED DOOR SENSOR IS ON