

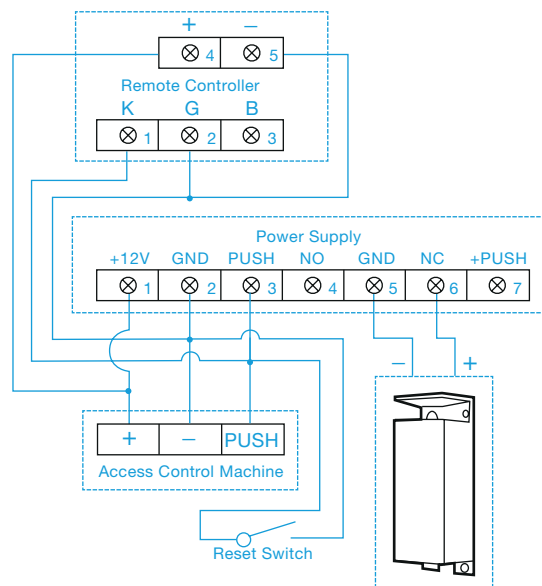
# 10604

FAIL SECURE

## Secure Drawer / Cabinet Lock

- Operating voltage 12Vdc
- Easy to install
- Monitored
- Horizontal or vertical installation

H	W	D
80	29	28



### SPECIFICATION

- Voltage tolerance:  $\pm 15\%$ .
- Current draw: 500mA at 12Vdc (at temperature 20°C).
- Bolt status output indicates bolt locked or unlocked status (SPDT rated 3A at 30 Vdc).
- Tested to 500,000 cycles.
- Weight: 1.2kg (approx).