

# SL165A

## Soleniod Bolt

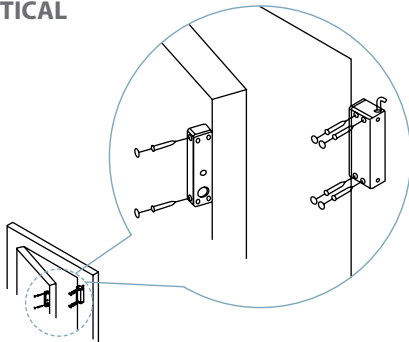
- Operating Voltage 12Vdc
- Die-Cast Metal
- Fail-Safe
- Adjustable Timer
- Monitored

### SPECIFICATION

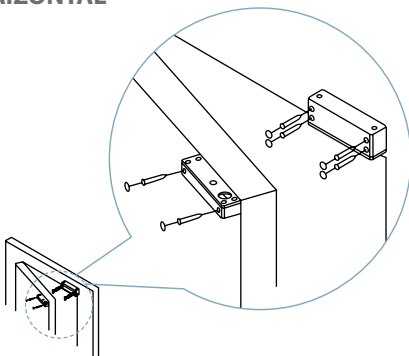
- Voltage: 12Vdc
- Current draw: 570mA at 12Vdc
- Monitoring: N/C Contact
- Adjustable Timer: 0~3 seconds
- Operational Door Gap: 6mm Max
- Bolt: 14mm throw, 12.7mm Diameter



### VERTICAL



### HORIZONTAL



### ATTENTION

Maximum distance as 6mm. It is unable to lock if the spacing is exceeding 6mm.

