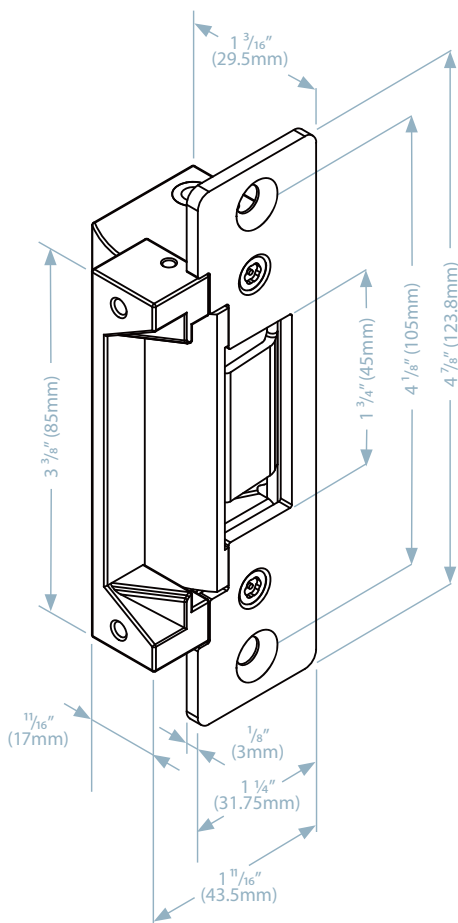


GK450M-ST

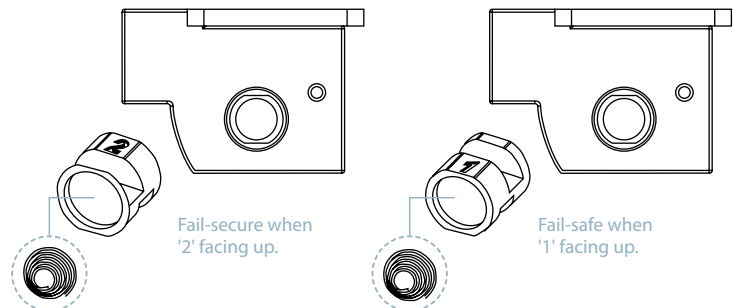
ANSI Strike

- Non Handed Fully Reversible
- 1500lbs (680kg Holding Force)
- Brushed Stainless Steel
- Fail Safe/Fail Secure Reversible
- Monitored



CHANGING FAIL-SAFE / FAIL-SECURE

Fail-safe or fail-secure is field reversible by reversing the round screw.



LIP EXTENSIONS (OPTION)

