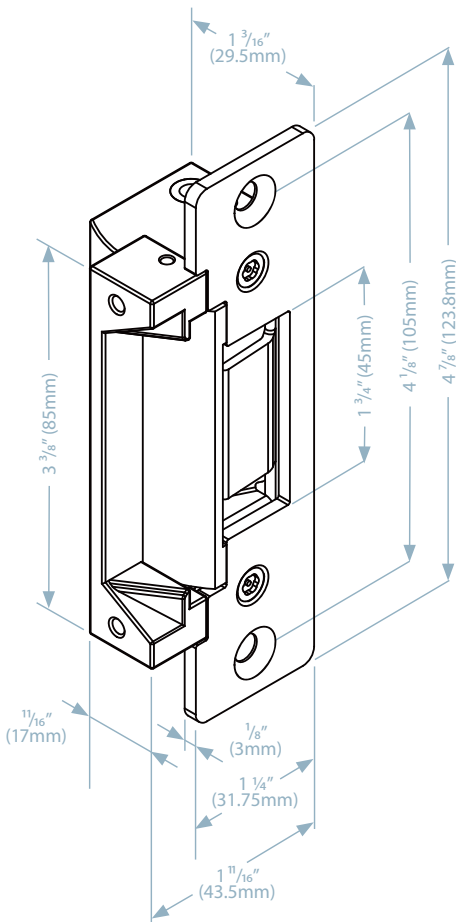


# FR-GK450M-ST

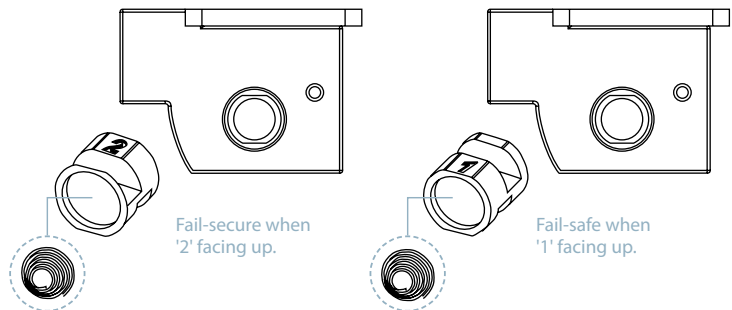
## Fire Rated ANSI Strike

- Non Handed Fully Reversible
- 1500lbs (680kg Holding Force)
- Brushed Stainless Steel
- Fire Rated to FD30 & FD60 (UK tested)
- Fail Safe/Fail Secure Reversible
- Monitored
- Includes intumescent strip

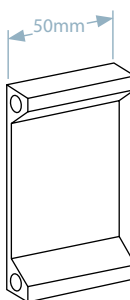


### CHANGING FAIL-SAFE / FAIL-SECURE

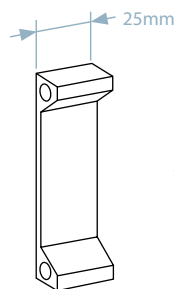
Fail-safe or fail-secure is field reversible by reversing the round screw.



### LIP EXTENSIONS (OPTION)



LP-050  
2" (50mm)



LP-025  
1" (25mm)

