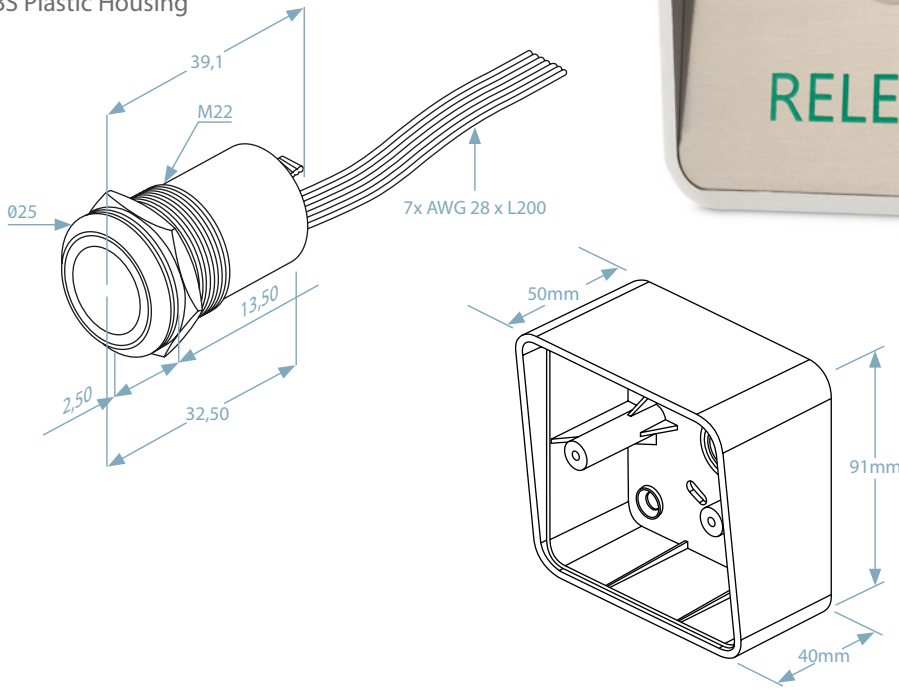


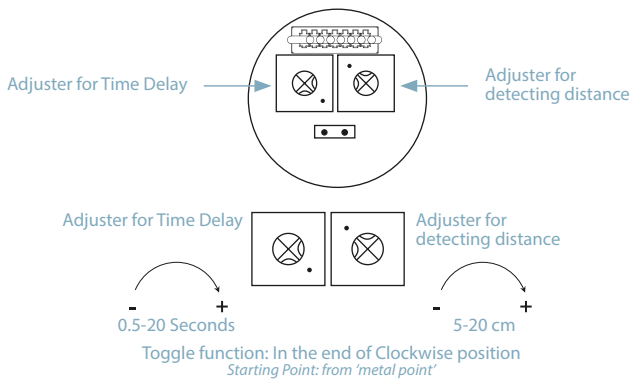
# DRB-IR-1224-SBB-SLV

## Flush IR Button

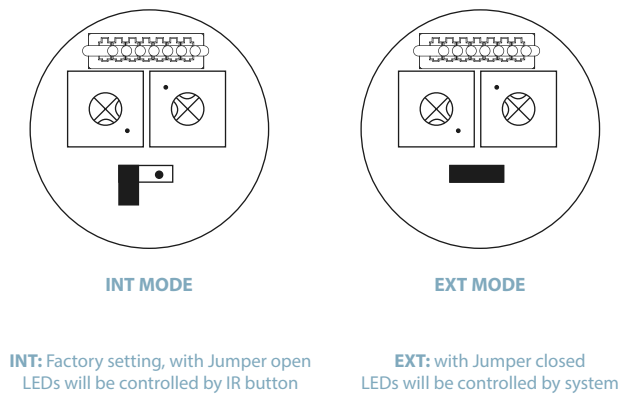
- Brushed Stainless Steel Plate
- IR Button
- Surface mount
- COM-N/O - N/C
- 12~24VDC Operation
- ABS Plastic Housing



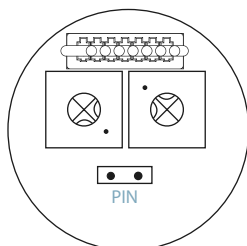
### SETTINGS



### INT/EXT MODE



### CABLES



Red cable: 12-24VDC  
 Black cable: 0VDC  
 Yellow: Green LED controlled in EXT  
 White: Red LED controlled in EXT mode

Green: N.O  
 Blue: COM  
 Purple: N.C

} Change-over Contact

