

# CK-100

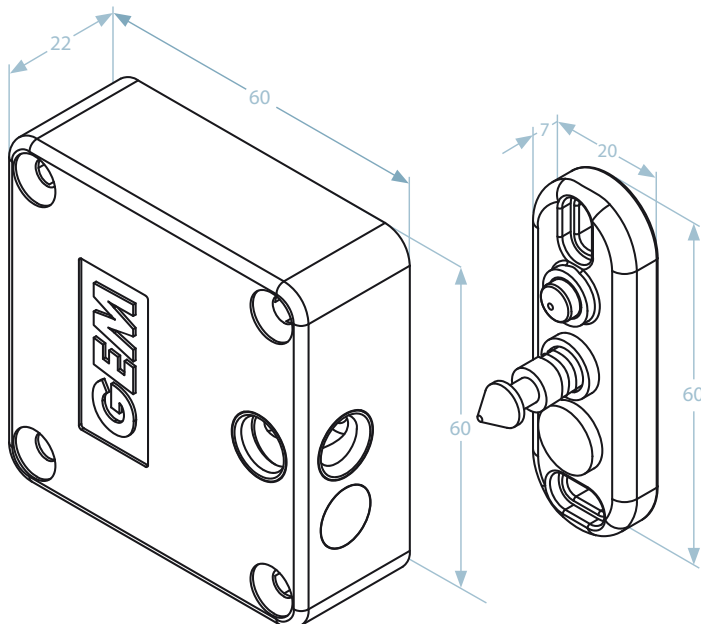
## Electric Cabinet Lock



- Operating voltage 12~28VAC/DC
- Polyamide Casing
- Fail-Secure
- 220lbs holding force
- Monitored



STAINLESS  
STEEL



Lock Bolt Sensor Switch Output:  
SPDT Relay Rating: 1A/125VAC

### WIRING DETAILS

RED 12~28VDC/AC  
RED

**Yellow** = N/C Bond Sensor Contact Output  
(When door locked)

**Green** = Common

**Blue** = N/O Door Status Contact  
(When door locked)

### SPECIFICATION

Voltage: 12~28VDC/AC

Current Draw:

Holding 69mA@12VDC 69mA@24VDC

Pull in @ 165mA@12VDC 165mA@24VDC

