

CCL-P Series

Proximity Reader

- Operating voltage 12Vdc
- Stainless Steel
- Surface or flush mounted
- Allows up to 1000 users
- Weather resistant: IP65
- Vandal resistant
- 0-99 relay timer
- Handheld programmer



WEATHER RESISTANT
- IP 65 -



VANDAL RESISTANT



STAINLESS STEEL

CCL-1PS

- Surface mount



CCL-1P

- Flush mount

OPTIONS

STD-PC



STD-PCPS



KT-10BC



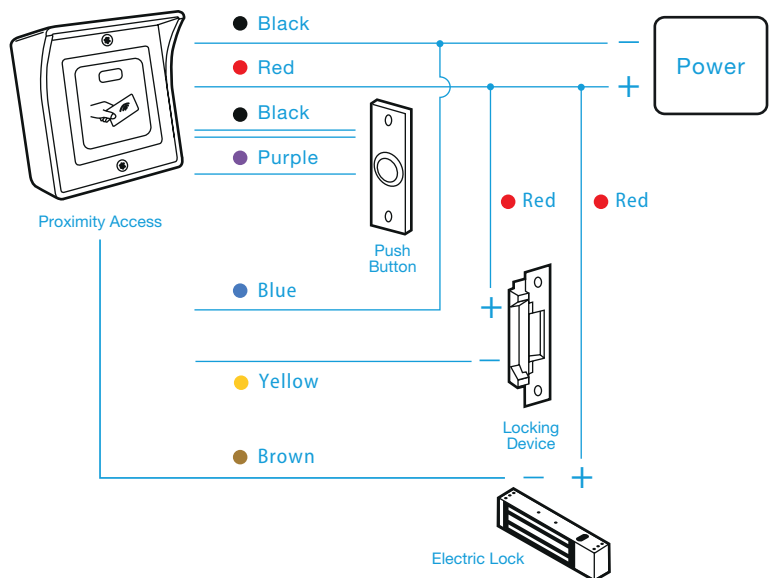
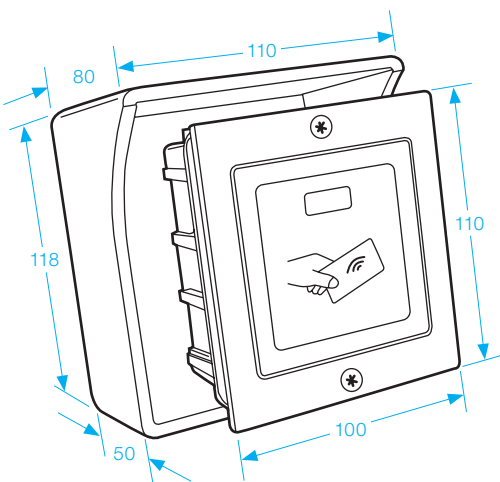
KT-15EM



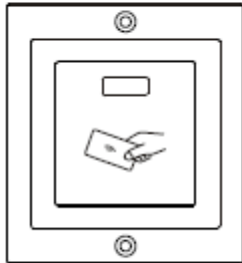
KT-16



621-11



Operation for ID/IC card access control



Notice:

Fingerprint and ID/IC card access controls require to use remote control DH11R or DH12R for program.

Enter the setting mode

Press * and #, then enter XXXX (4-digits admin code) and #. A Di sound indicates entering to the setting mode successfully. Press * to return to standby mode. (No operation in 20 seconds will return automatically). The factory default code is 4567.

Modify access control code

In the setting mode:

Press 8 with a Di sound, then enter new 4-digits code (XXXX) and #. After a Di sound, re-enter the new 4-digit code and #. If two Di sounds is heard, it means the modification is successful. If enter different codes twice, continued Di... sound will be heard, the modification of code fails. Please modify again.

Press * to return to standby mode.

Notice: If forget admin code, turn on the power again and press # in 3 seconds until Bi is heard. It means admin code is restored successfully as default setting.

Set master card

In the setting mode:

Press 0, a Di sound heard, and press 7 to hear another Di sound. Then enter the last 6-digits master card number or swipe the master card. After a Di sound, the setting is completed.

Press * to return to setting mode, and press * again to return to standby mode.

Add user card

In the setting mode:

Press 1. Di sound indicates it is in the adding user card mode.

Enter the last 6-digits of a new card number. If Di sound is heard, it indicates the adding is successful. Or swipe the new card instead of adding the card numbers. If a Di sound and another Di sound are heard, it indicates the adding is successful.

Continuous batch adding new user cards is available. If a registered card is added, four Di Di Di Di rejection sounds will be heard. It indicates this card has been registered.

Press * to return to setting mode. Then press * to return to standby mode. No operation in 30 seconds will return automatically.

Use master card to add user card:

In the standby status, swipe master card once. A Di sound indicates it is in the adding card mode.

During the adding card mode, swipe each new card will accomplish with a Di sound. Another Di sound to confirm that the setting is successful. Registered card will be rejected. After four Di sounds, swipe master card again to return to standby mode.

Delete user card

In the setting mode:

Press 2 with a Di sound. It is in the delete card mode. Enter the last 6-digits of the card to be deleted. If a Di sound is heard, it indicates the deletion is successful. Or swipe the card to be deleted, if a Di sound is heard, and another Di sound indicates deletion is successful. Continuous batch deleting user cards is available. If deleted card is deleted again, the access control will sound four Di rejection sounds. It indicates this card has been deleted.

Press * to return to setting mode, and press * again to return to the standby mode. No operation in 30 seconds will return automatically.

Delete all user cards

In the setting mode:

Press 9 with a Di sound heard. And then press 9, continued short Di sounds can be heard. After it stops, it indicates the deletion of all user cards is successful.

Press * to return to standby mode. No operation in 30 seconds will return automatically.

Set building number and machine number

In the setting mode:

Press 3, a Di sound is heard. Enter 6 digits (4-digits building number and 2-digits machine number), press # with a Di sound. It indicates the setting is successful.

Press * to return to standby mode. No operation in 30 seconds will return automatically.

Set the unlocking time

In the setting mode:

Press 4, a Di sound is heard, then enter 2 digits number from 01 to 99 as unlocking time. If a Di sound and another Di sound are heard, it indicates the unlocking time setting is successful.

Press * to return to standby mode. No operation in 30 seconds will return automatically.