

CCL-F Series

Fingerprint Reader

- Operating voltage 12Vdc
- Stainless Steel
- Surface or flush mounted
- Allows up to 900 users
- 0-99 relay timer
- Hand held programmer



WEATHER RESISTANT
- IP 65 -



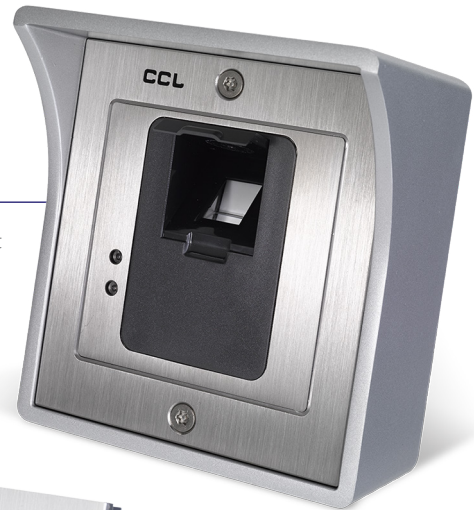
VANDAL RESISTANT



STAINLESS STEEL

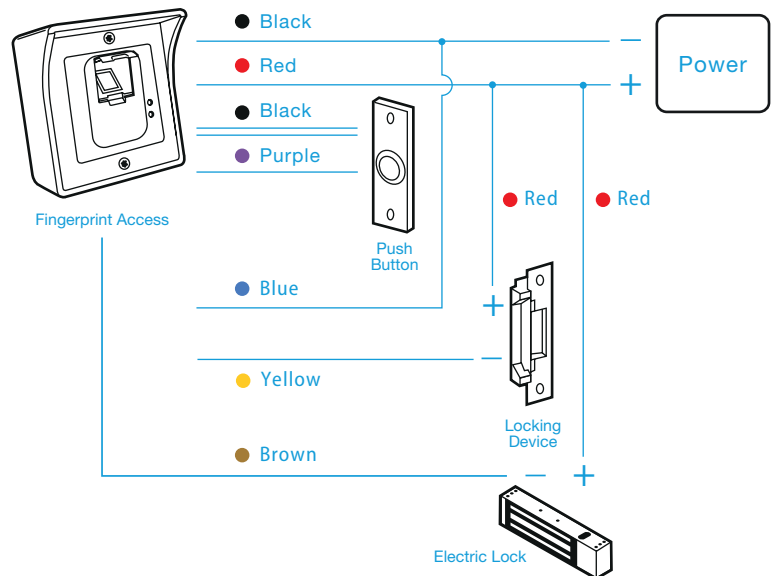
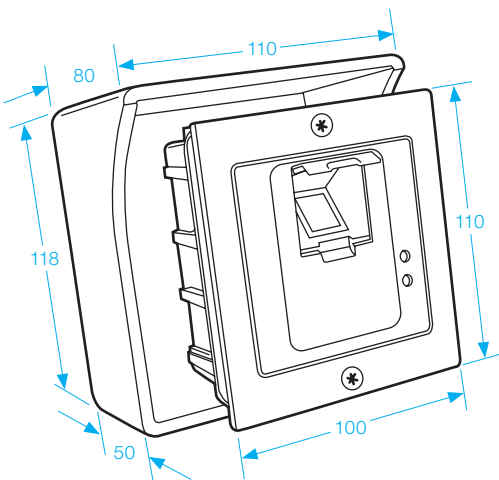
CCL-1FS

- Surface mount

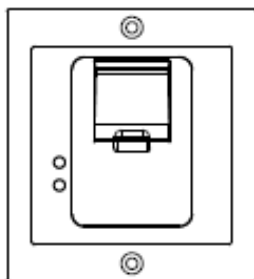


CCL-1F

- Flush mount



Operation for fingerprint access control



! Notice:

Fingerprint and ID/IC card access controls require to use remote control DH11R or DH12R for program.

Enter the setting mode

Input the admin code twice (default code twice: 1234+1234), the yellow LED will be on. It is in the setting mode.

The default code is: 1234

Modify admin code

In the setting mode:

Press * 3 (Yellow light blinks), and then enter a new admin code (XXXX) twice. If Bi- is heard, it means the modification is successful.

Press # to exit the setting mode.

Notice: In case forget the admin code, power on first, then press # in 3 seconds until Bi is heard. It means admin code is restored successfully as default setting.

Restore factory default

In the setting mode:

Press * 8 (Yellow light blinks), and then enter 9 twice (A continuous Bi- will be heard). The factory default is restored.

Press # to exit the setting mode.

Set the unlocking time

In the setting mode:

Press * 1 (Yellow light blinks), and then enter 2-digit number from 01 to 99 (Bi- is heard, and yellow light stops blinking). This 2-digit number is the unlocking time. For example, enter 05 means the unlocking time is 5 seconds.

Press # to exit the setting mode.

Add fingerprint

In the setting mode:

Press 000-899 (Yellow light blinks. If red light is on, it indicates the position is occupied. Press * twice to delete the information in this position and then add the fingerprint. If green light is on, it indicates the position is vacant. Fingerprint can be added.) + put the finger on the scanner until a Bi sound is heard. Then another Bi and Bi-will be heard. It indicates the addition is successful. If BiBiBi are heard, it indicates the addition fails. If BiBiBiBi are heard, it indicates the fingerprint exists.

Press # to exit the setting mode.

Notice: Maximum 900 fingerprints.

Delete the fingerprint

In the setting mode:

Delete one fingerprint: press 000-899, then press * twice to delete the fingerprint in 000-899. If light turns green means the deletion is successful.

Delete all fingerprint: press * 8 (Yellow light blinks), and then enter 8 twice (A continuous Bi - will be heard). The deletion is successful.

Press # to exit the setting mode.

Set security level

In the setting mode:

Press * 5 (Yellow light blinks), and then enter security level number twice (Parameter range is 1, 2, 3, 4, 5. The higher number indicates the higher accuracy of fingerprint recognition). If Bi- is heard, it indicates the setting is successful. If Bi Bi Bi are heard, it indicates the setting fails.

Press # to exit the setting mode.